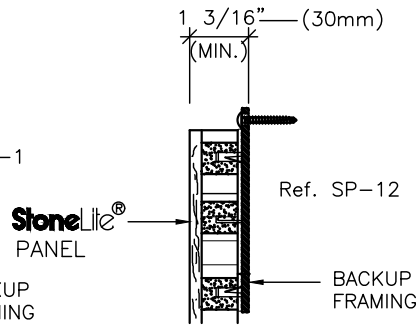
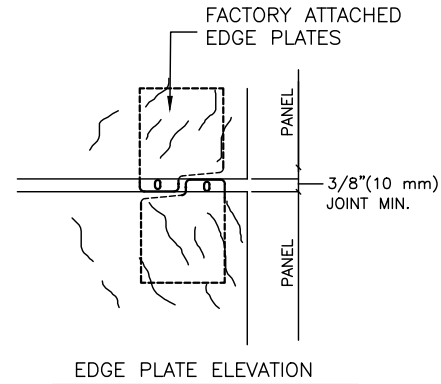


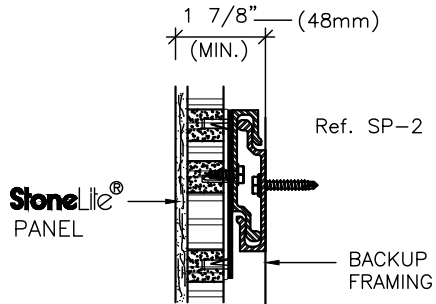
WIDE INTERLOCKING CHANNEL SYSTEM
Interior or Exterior Application



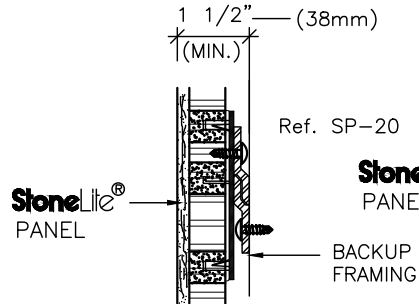
EDGE PLATE SYSTEM
Interior or Exterior Application



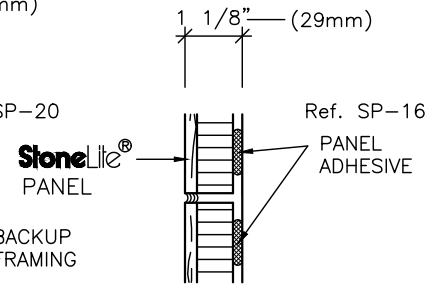
EDGE PLATE ELEVATION



NARROW INTERLOCKING CHANNEL SYSTEM
Interior or Exterior Application



Z-CLIP ATTACHMENT SYSTEM
Elevator Cab Application



ADHESIVE ATTACHMENT SYSTEM
Interior Application

NOTE: DIMENSIONS SHOWN ARE
FOR 3/16" (5mm) STONE ON 3/4" (19mm) HONEYCOMB

DR-040(10Feb25)



COLDSPRING®

17482 GRANITE WEST ROAD, COLD SPRING, MN 56320
PHONE 320.685.3621 | WWW.COLDSPRINGUSA.COM

ATTACHMENT DETAILS

DESCRIPTION:

SHEET #:
SP-42

SCALE:
3" = 1'-0"

DRAWN BY:
JW

DATE:
3/13/2025