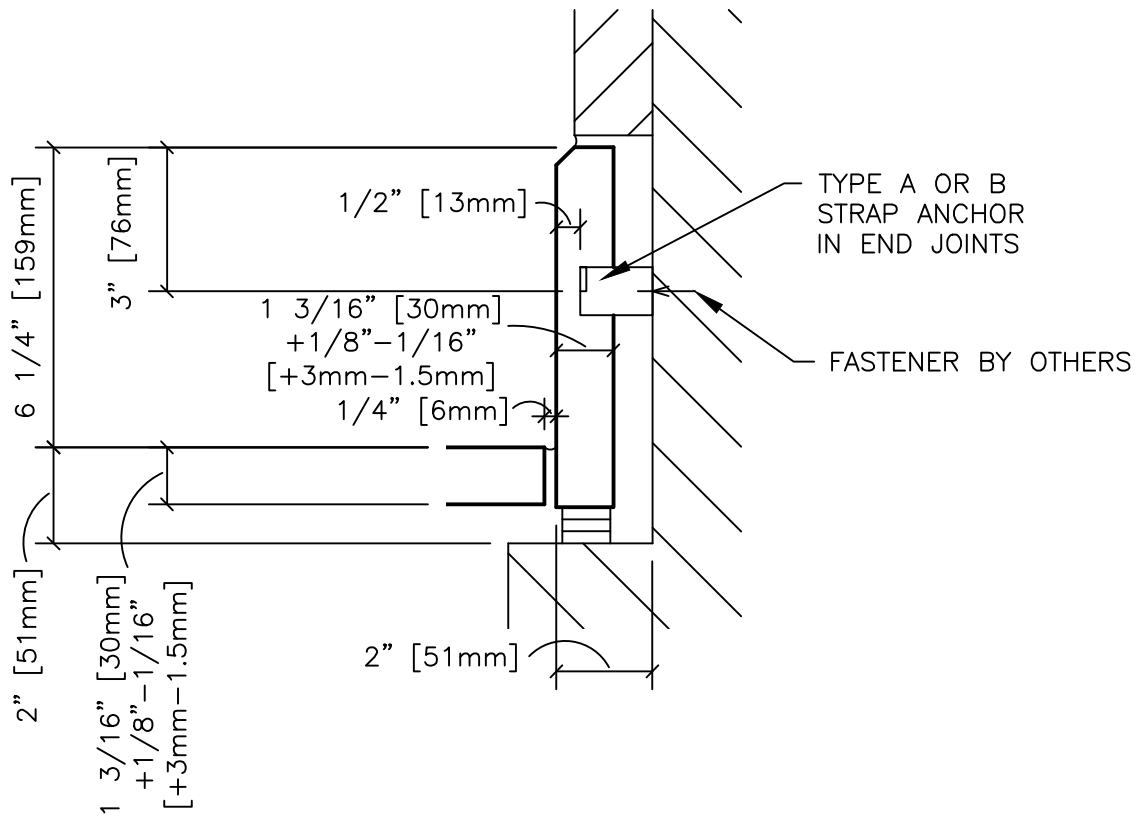


ANCHORING DETAILS ARE FOR REFERENCE ONLY. FINAL SPECIFICATIONS AND DETAILS SHOULD BE APPROVED BY A LICENSED ENGINEER.



BASE DETAIL – ANCHOR AT VERTICAL JOINTS

DESCRIPTION:

BASE DETAIL
ANCHOR AT VERTICAL JOINTS

SCALE:

3" = 1'-0"

DRAWN BY:

LB/KM

DATE:

4-6-2020



COLDSPRING™

17482 GRANITE WEST ROAD, COLD SPRING, MN 56320-4578
PHONE (320) 685-3621, FAX (320) 685-5052
WWW.COLDSPRINGUSA.COM