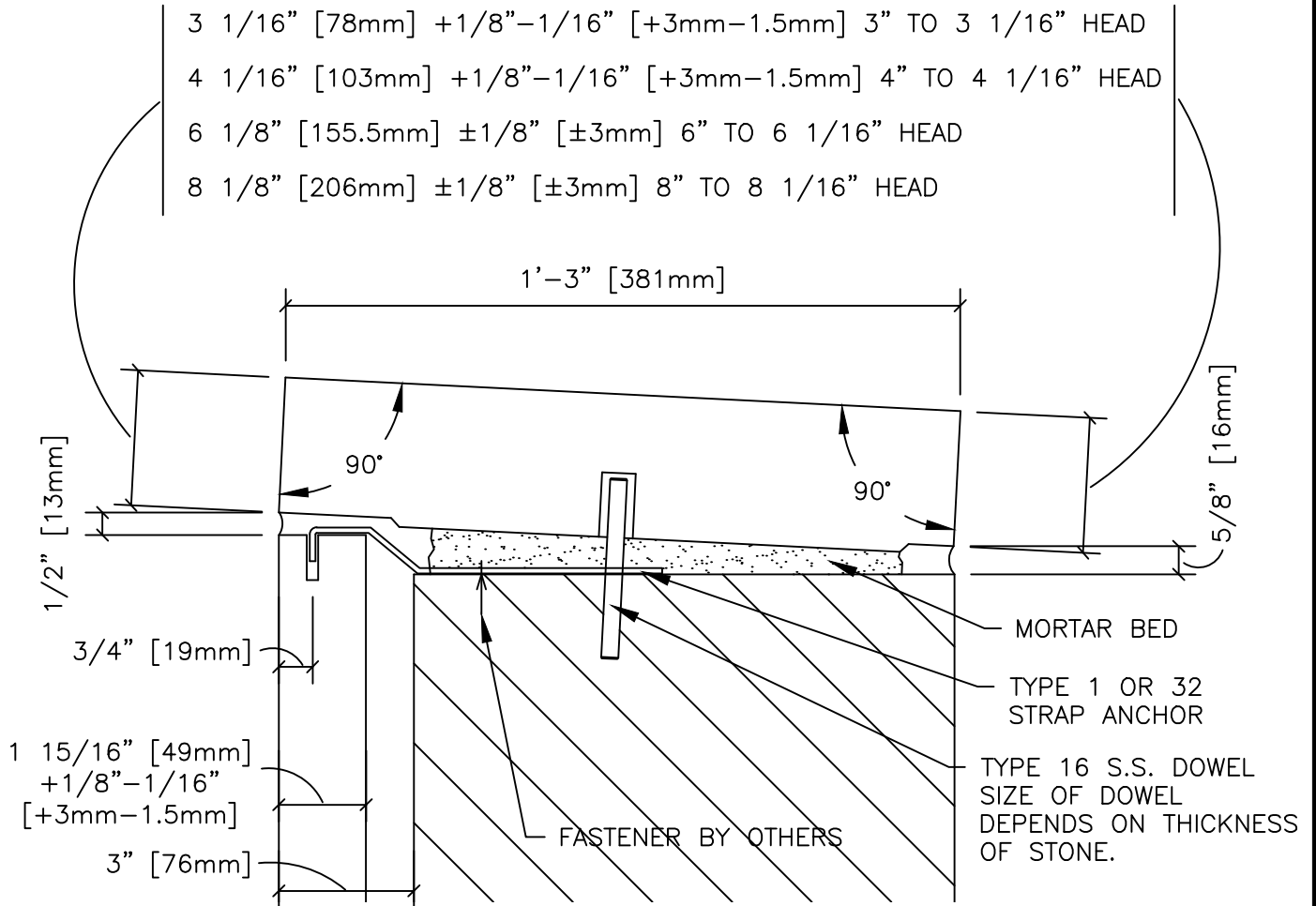


ANCHORING DETAILS ARE FOR REFERENCE ONLY. FINAL SPECIFICATIONS AND DETAILS SHOULD BE APPROVED BY A LICENSED ENGINEER.



\* DEPENDING ON THICKNESS OF STONE, GAUGED HEAD MAY BE REQUIRED.

MOST ECONOMICAL

COPING WITH 90 DEGREE CORNERS - 78mm OR MORE

DESCRIPTION:

COPING WITH 90 DEGREE CORNERS  
78mm OR MORE

SCALE:

3" = 1'-0"

DRAWN BY:

LB/KM

DATE:

4-2-2020



**COLDSPRING™**

17482 GRANITE WEST ROAD, COLD SPRING, MN 56320-4578  
PHONE (320) 685-3621, FAX (320) 685-5052  
WWW.COLDSPRINGUSA.COM