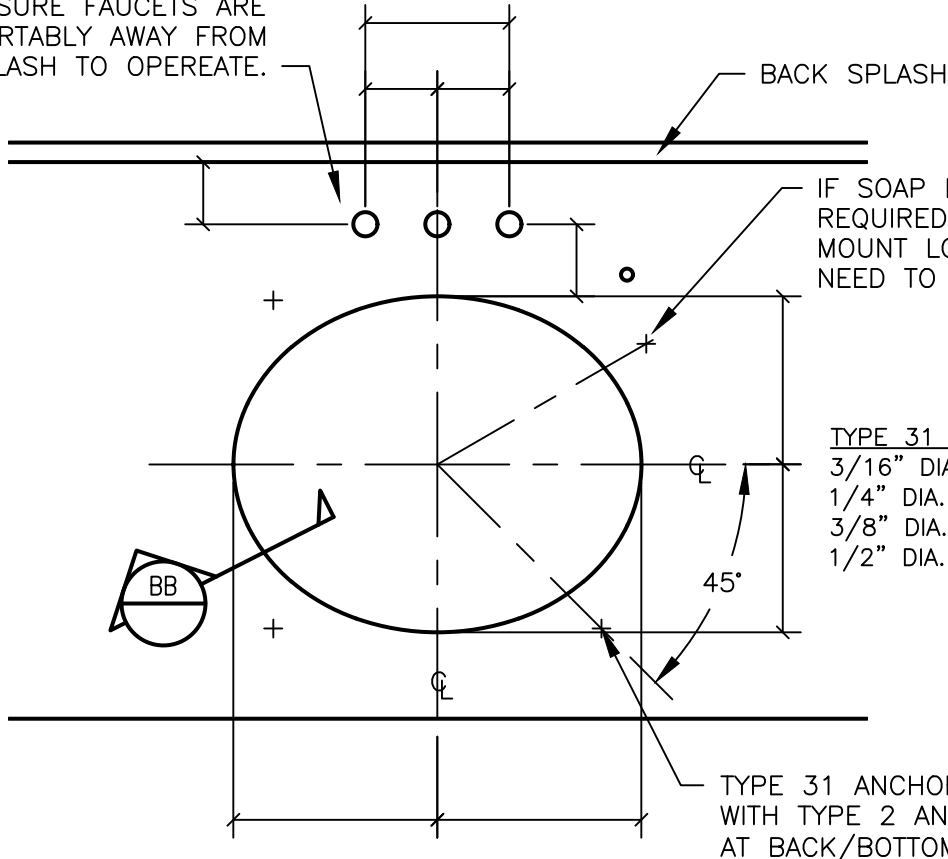
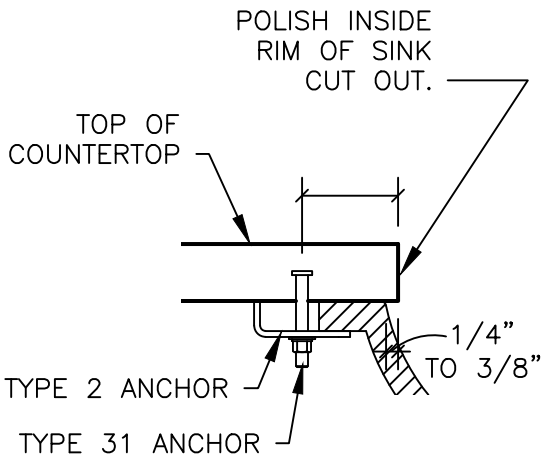


MAKE SURE FAUCETS ARE COMFORTABLY AWAY FROM BACK SPLASH TO OPERATE.



UNDER MOUNT SINK PLAN



SECTION BB

CONSIDERATIONS:

FULL SIZE TEMPLATE FOR SINK BOWL CUT OUT

- PURCHASER TO SUPPLY FULL SIZE TEMPLATE
- IF UNAVAILABLE, PURCHASER TO SUPPLY ACTUAL SINK OR PROVIDE A MAKE AND MODEL NUMBER OF SINK TO BE USED. (VERIFY IF SINK IS TO BE RETURNED).

SINK CUT OUT LOCATION

- CENTERLINES WILL BECOME THE WORK POINTS FOR LOCATING FAUCET HOLES, SOAP DISPENSER, LOTION DISPENSER, AND ANCHORS FOR INSTALLING UNDER MOUNT SINKS.

FAUCET HOLES

- PURCHASER TO PROVIDE SIZE AND LOCATION OF FAUCET HOLES (CONSIDER SPACING BETWEEN HOLES)
- REVIEW LOCATION OF FAUCETS WITH SINK BOWL, BACK SPLASH AND POSSIBLE STRUCTURAL SUPPORT BELOW.

SOAP DISPENSER AND LOTION DISPENSER

- CHECK IF SOAP/LOTION DISPENSER HOLES ARE REQUIRED.
- IF SO, WHAT SIZE HOLE IS REQUIRED. WHERE IS HOLE LOCATED FROM CENTERLINES OF BOWL CUT OUT?

DR-040(10Feb25)

DESCRIPTION:

VANITY UNDER MOUNT SINK

SHEET #:

SCALE:

1 1/2" = 1'-0"

DRAWN BY:

LB/KM

DATE:

3/10/2025



COLDSPRING®

17482 GRANITE WEST ROAD, COLD SPRING, MN 56320
 PHONE 320.685.3621 | WWW.COLDSPRINGUSA.COM