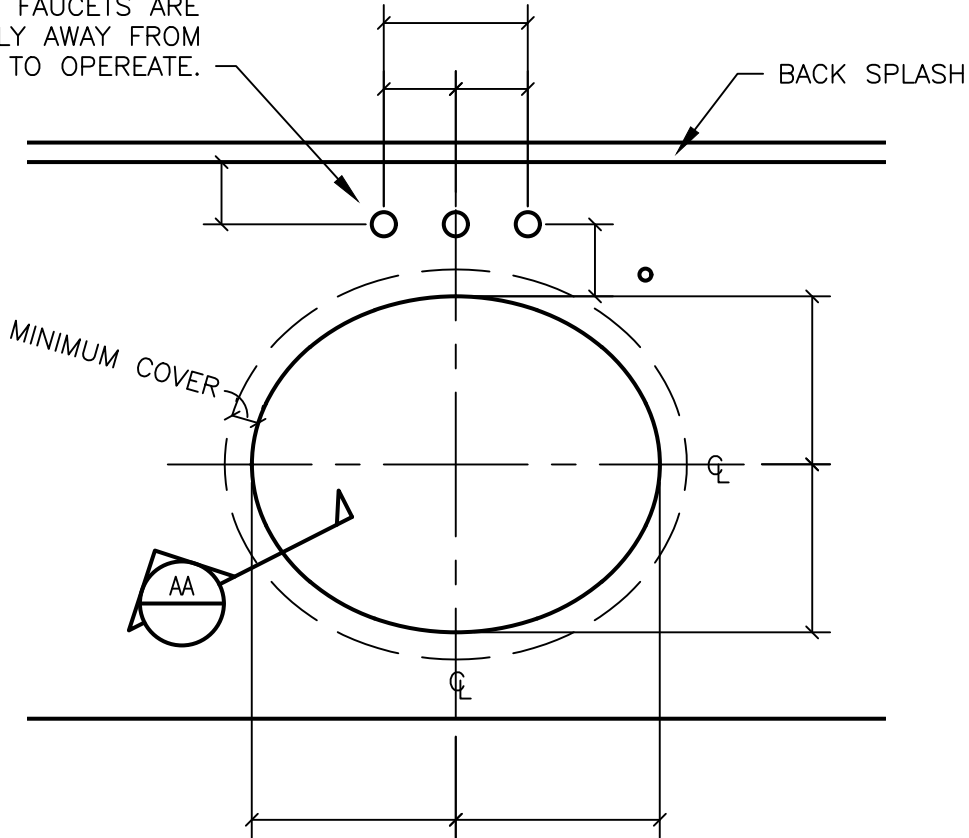


MAKE SURE FAUCETS ARE COMFORTABLY AWAY FROM BACK SPLASH TO OPERATE.



## DROP IN SINK PLAN

### CONSIDERATIONS:

FULL SIZE TEMPLATE FOR SINK BOWL CUT OUT  
 -PURCHASER TO SUPPLY FULL SIZE TEMPLATE  
 -IF UNAVAILABLE, PURCHASER TO SUPPLY ACTUAL SINK OR PROVIDE A MAKE AND MODEL NUMBER OF SINK TO BE USED. (VERIFY IF SINK IS TO BE RETURNED).

### SINK CUT OUT LOCATION

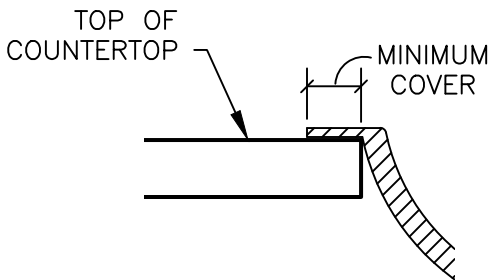
-CENTERLINES WILL BECOME THE WORK POINTS FOR LOCATING FAUCET HOLES, SOAP DISPENSER, LOTION DISPENSER, AND ANCHORS FOR INSTALLING UNDER MOUNT SINKS.

### FAUCET HOLES

-PURCHASER TO PROVIDE SIZE AND LOCATION OF FAUCET HOLES (CONSIDER SPACING BETWEEN HOLES)  
 -REVIEW LOCATION OF FAUCETS WITH SINK BOWL, BACK SPLASH AND POSSIBLE STRUCTURAL SUPPORT BELOW.

### SOAP DISPENSER AND LOTION DISPENSER

-CHECK IF SOAP/LOTION DISPENSER HOLES ARE REQUIRED.  
 -IF SO, WHAT SIZE HOLE IS REQUIRED. WHERE IS HOLE LOCATED FROM CENTERLINES OF BOWL CUT OUT?



## SECTION AA

DR-040(10Feb25)

### DESCRIPTION:

VANITY DROP IN SINK

SHEET #:

SCALE:

1 1/2" = 1'-0"

DRAWN BY:

LB/KM

DATE:

3/10/2025



**COLDSPRING®**

17482 GRANITE WEST ROAD, COLD SPRING, MN 56320  
 PHONE 320.685.3621 | WWW.COLDSPRINGUSA.COM