

NOTE:

3/8", 1/4", OR 3/16" DIAMETER
STAINLESS STEEL BOLT, NUT,
FLAT & LOCK WASHER. BOLT IS
INSERTED INTO ROUTED SLOT IN
BACK OF STONE.

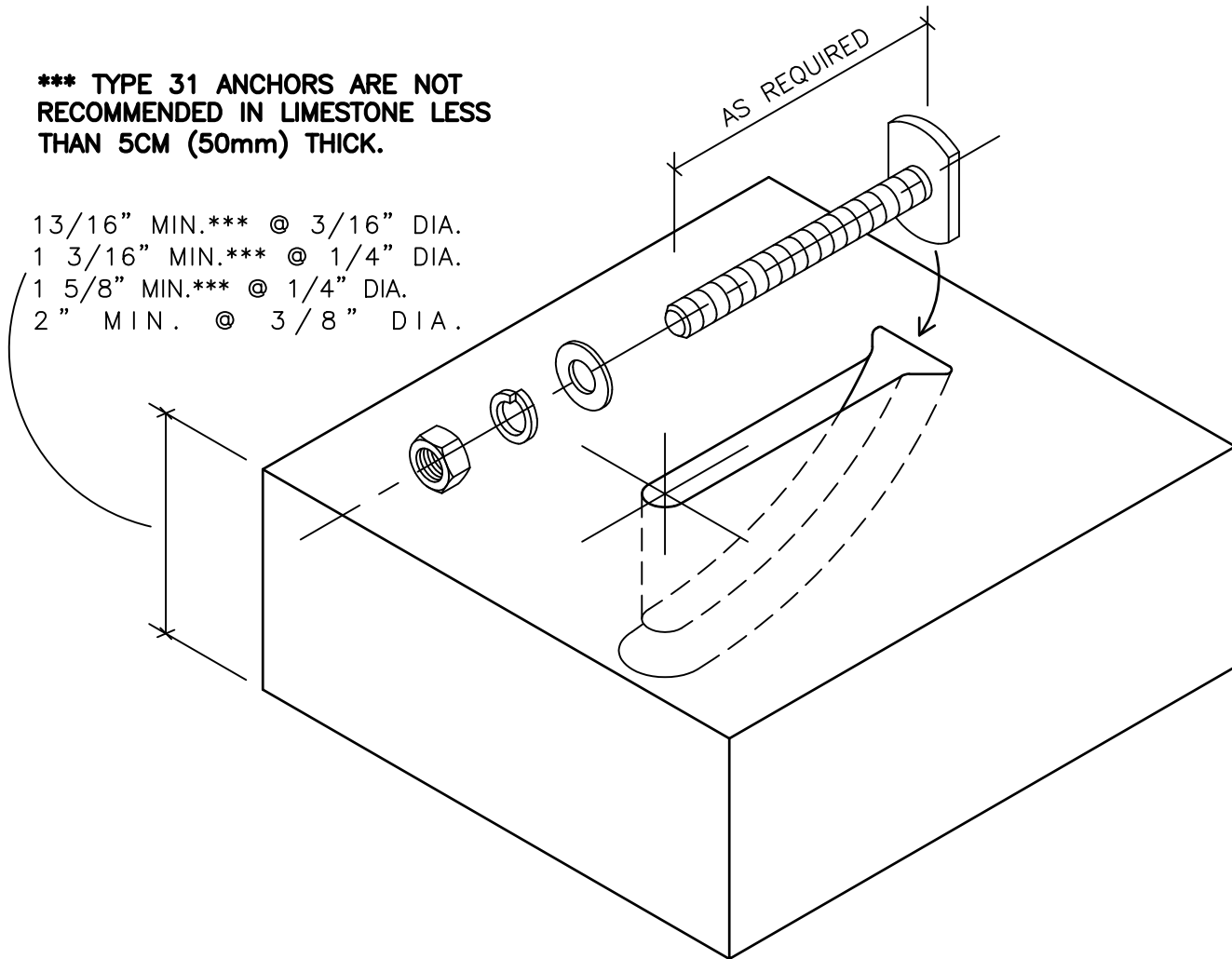
TYPE 31 TORQUE REQUIREMENTS:

3/16" DIA. = 35 TO 40 IN. LBS.
1/4" DIA. = 70 TO 80 IN. LBS.
3/8" DIA. = 200 TO 220 IN. LBS
1/2" DIA. = 400 IN. LBS

US PATENT NO. 4,020,610
CANADA PATENT NO. 1052122

***** TYPE 31 ANCHORS ARE NOT
RECOMMENDED IN LIMESTONE LESS
THAN 5CM (50mm) THICK.**

- 13/16" MIN.*** @ 3/16" DIA.
- 1 3/16" MIN.*** @ 1/4" DIA.
- 1 5/8" MIN.*** @ 1/4" DIA.
- 2" MIN. @ 3/8" DIA.



TYPE 31 STAINLESS STEEL ANCHOR

DR-040(10Feb25)

DESCRIPTION:

TYPE 31 ANCHOR

SHEET #:

SCALE:

FULL SIZE

DRAWN BY:

LB/KM

DATE:

3/10/2025



COLDSPRING®

17482 GRANITE WEST ROAD, COLD SPRING, MN 56320
PHONE 320.685.3621 | WWW.COLDSPRINGUSA.COM