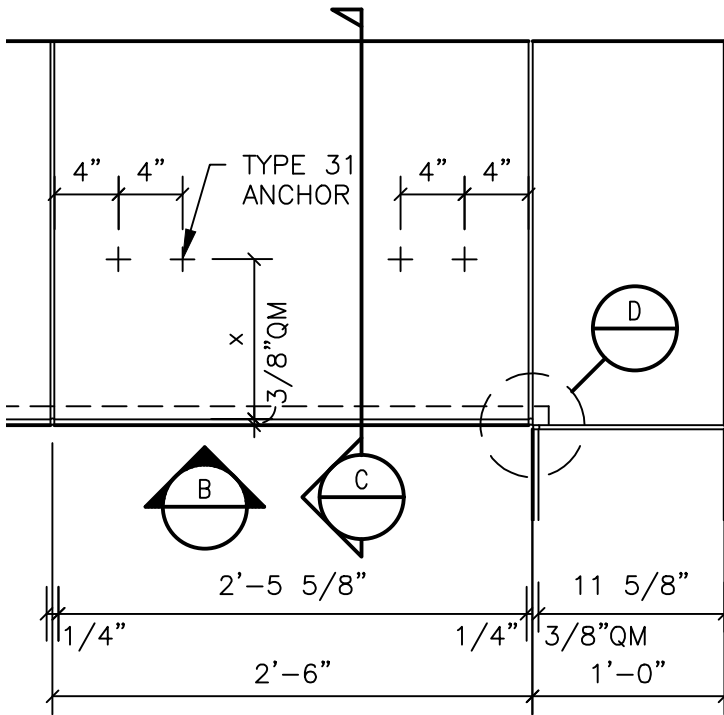
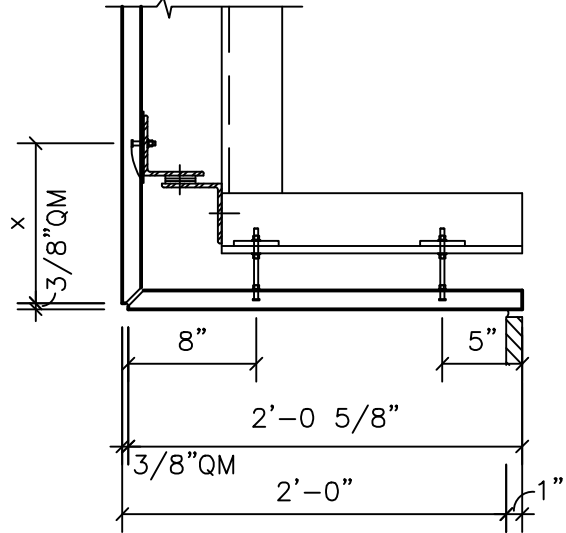


ANCHORING DETAILS ARE FOR REFERENCE ONLY. FINAL SPECIFICATIONS AND DETAILS SHOULD BE APPROVED BY A LICENSED ENGINEER.

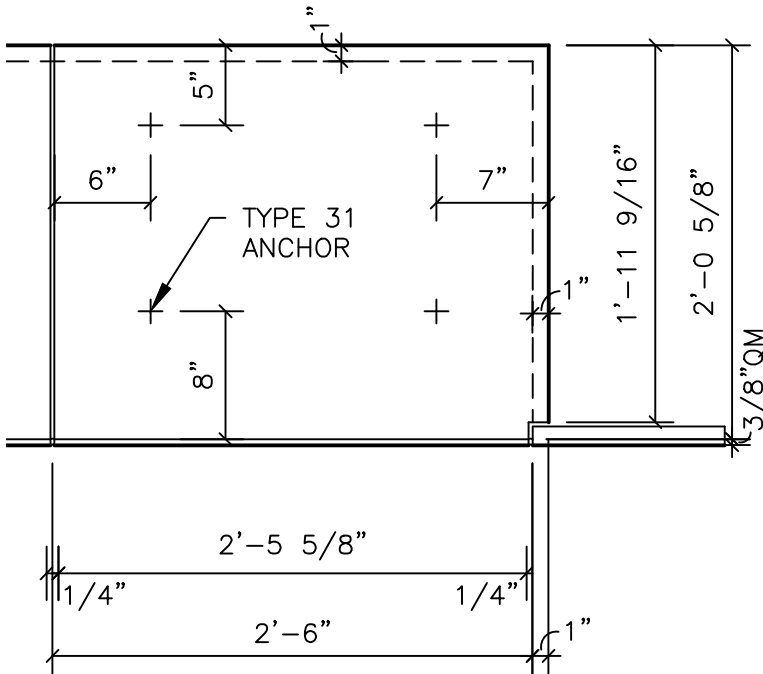
TYPE 31 TORQUE REQUIREMENTS:
 3/16" DIA. = 35 TO 40 IN. LBS.
 1/4" DIA. = 70 TO 80 IN. LBS.
 3/8" DIA. = 200 TO 220 IN. LBS
 1/2" DIA. = 400 IN. LBS



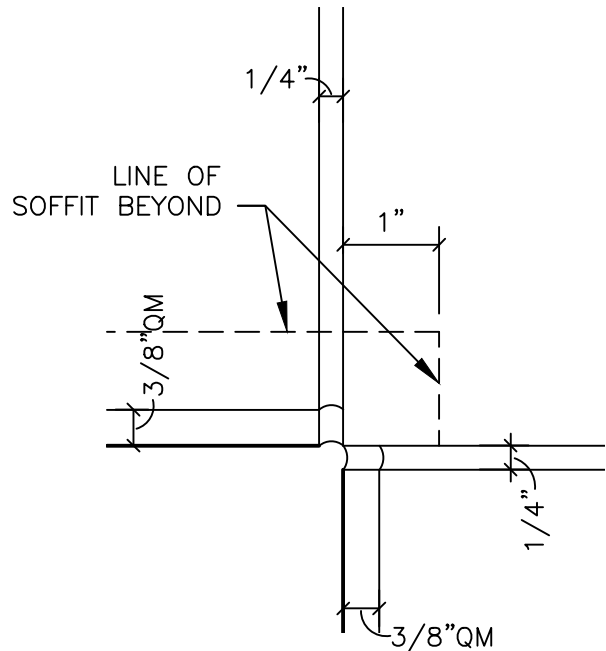
A PARTIAL ELEVATION
 SCALE: REF:



C SOFFIT SECTION
 SCALE: REF:



B REFLECTED SOFFIT PLAN
 SCALE: REF:



D QM DETAIL
 SCALE: REF:

DR-040(10Feb25)

DESCRIPTION:

REFLECTED SOFFIT DETAIL

SHEET #:

SCALE:

1" = 1'-0"

DRAWN BY:

LB/KM

DATE:

3/4/2025



COLDSPRING®

17482 GRANITE WEST ROAD, COLD SPRING, MN 56320
 PHONE 320.685.3621 | WWW.COLDSPRINGUSA.COM