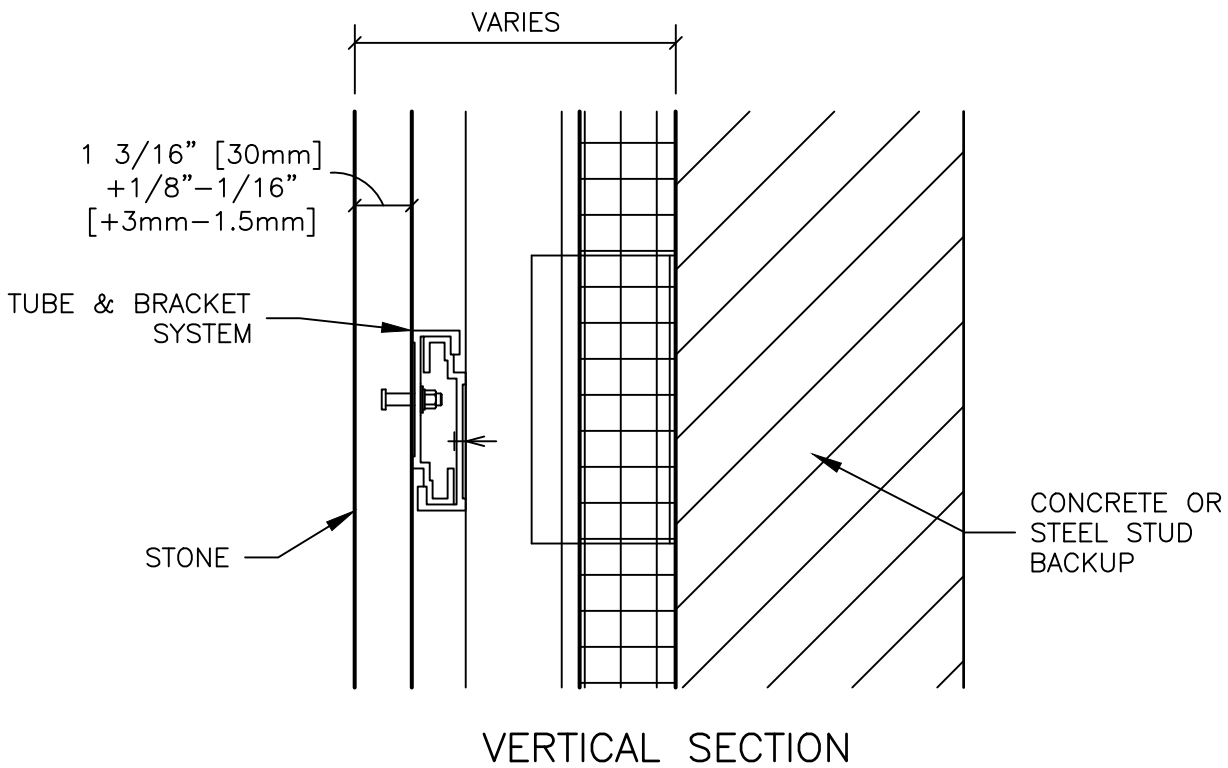
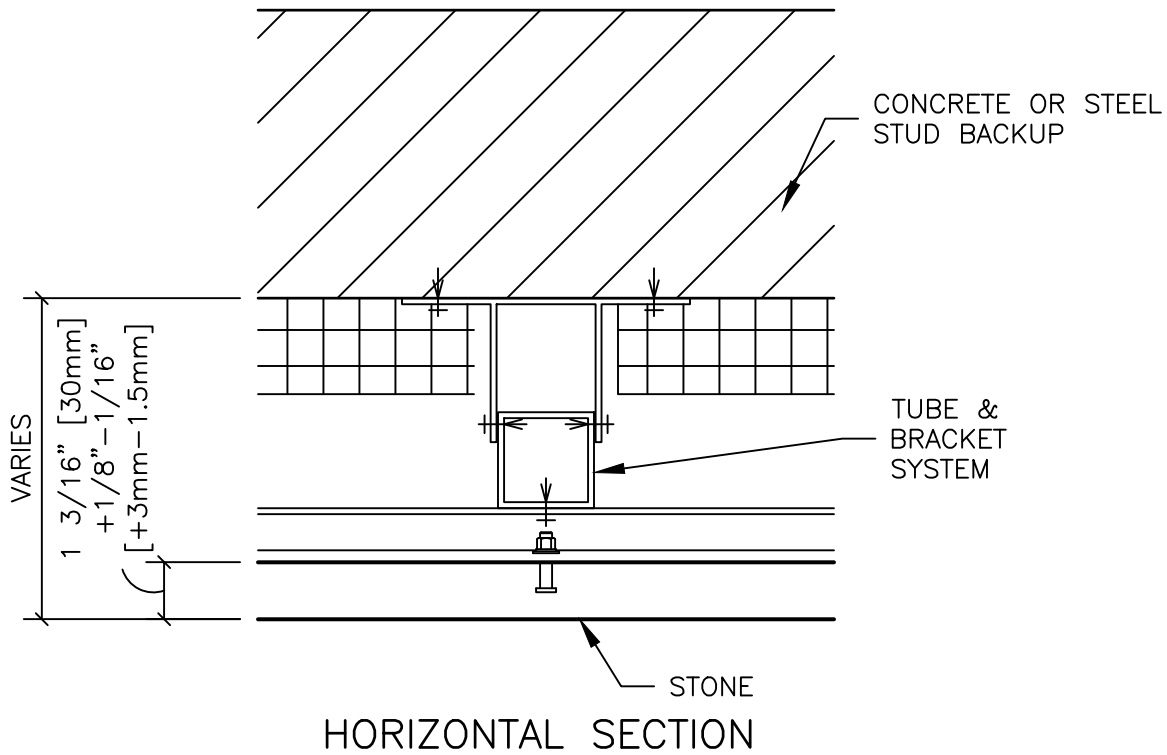


ANCHORING DETAILS ARE FOR REFERENCE ONLY. FINAL SPECIFICATIONS AND DETAILS SHOULD BE APPROVED BY A LICENSED ENGINEER.



DR-040(10Feb25)

**DESCRIPTION:**

RAINSCREEN ANCHORING SYSTEM - STONE  
TUBE & BRACKET

**SHEET #:**

**SCALE:**

3" = 1'-0"

**DRAWN BY:**

JV/KM

**DATE:**

3/6/2025



**COLDSPRING®**

17482 GRANITE WEST ROAD, COLD SPRING, MN 56320  
PHONE 320.685.3621 | WWW.COLDSPRINGUSA.COM