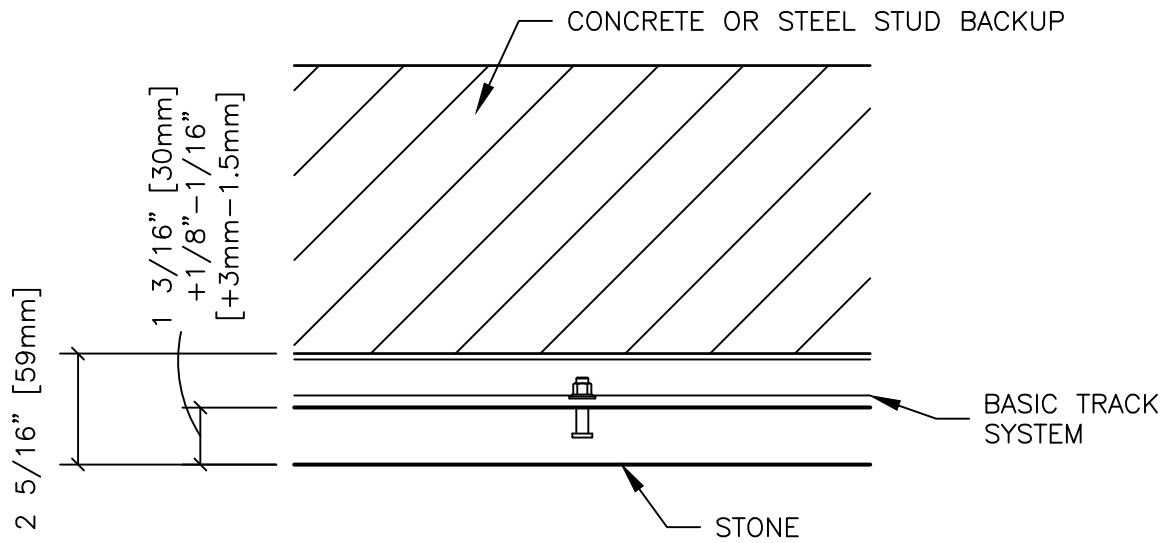
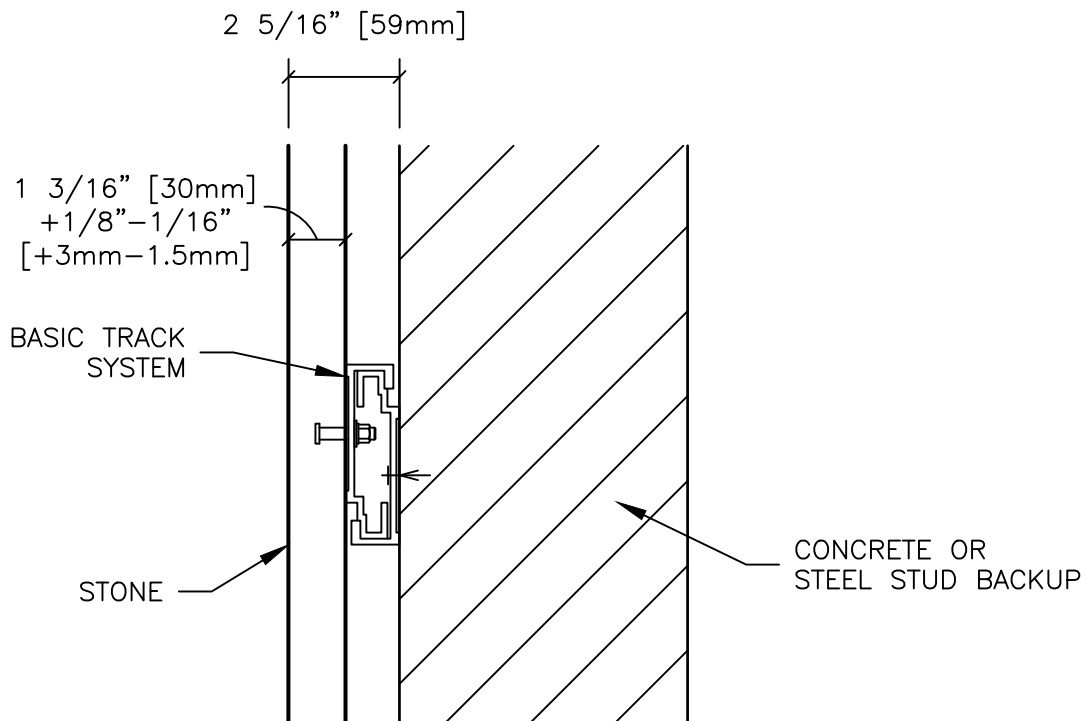


ANCHORING DETAILS ARE FOR REFERENCE ONLY. FINAL SPECIFICATIONS AND DETAILS SHOULD BE APPROVED BY A LICENSED ENGINEER.



HORIZONTAL SECTION



VERTICAL SECTION

DR-040(10Feb25)

DESCRIPTION:
RAINSCREEN ANCHORING SYSTEM - STONE
BASIC TRACK

SHEET #:

SCALE:
3" = 1'-0"

DRAWN BY:
JV/KM

DATE:
3/6/2025



COLDSPRING®

17482 GRANITE WEST ROAD, COLD SPRING, MN 56320
PHONE 320.685.3621 | WWW.COLDSPRINGUSA.COM