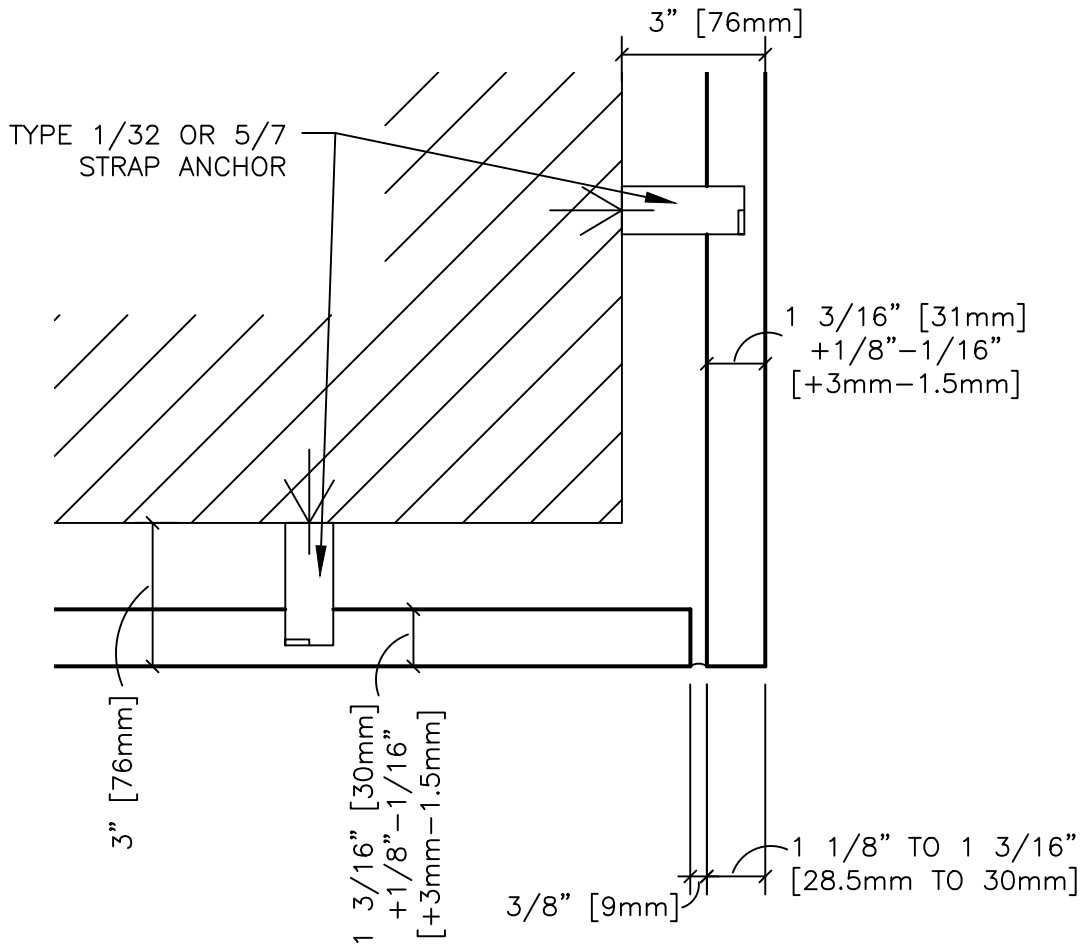


ANCHORING DETAILS ARE FOR REFERENCE ONLY. FINAL SPECIFICATIONS AND DETAILS SHOULD BE APPROVED BY A LICENSED ENGINEER.



SECTION H

DR-040(10Feb25)

DESCRIPTION:

EXAMPLE INTERIOR WALL - SECTION H
30mm

SHEET #:

SCALE:

3" = 1'-0"

DRAWN BY:

LB/KM

DATE:

3/6/2025



COLDSPRING®

17482 GRANITE WEST ROAD, COLD SPRING, MN 56320
PHONE 320.685.3621 | WWW.COLDSPRINGUSA.COM