

**1. PRODUCT NAME**

Coldspring  
Granite Split Edge Pavers

Weight: Granite weighs approximately 170 pounds per cubic foot. Per square foot, weight translates as:

**2. MANUFACTURER**

Coldspring  
17482 Granite West Road  
Cold Spring, MN 56320-4578  
Toll Free.....800-328-5040  
Phone .....320-685-3621

1 3/16" Thickness = 17 LBS/FT<sup>2</sup>  
2" Thickness = 30 LBS/FT<sup>2</sup>  
3 1/8" Thickness = 45 LBS/FT<sup>2</sup>  
3 7/8" Thickness = 55 LBS/FT<sup>2</sup>

Top Surface Finish: \*Thermal/Flamed-Highly slip-resistant, rough-textured surface.

**3. PRODUCT DESCRIPTION**

Basic Use: Coldspring Split Edge Pavers are designed for use in exterior residential and interior/exterior commercial paving applications. Granite pavers are ideally suited for extreme conditions, as they resist wear, deterioration and weathering, while maintaining their natural beauty and finish indefinitely.

\*If selected material is Mountain Green® or Mesabi Black®, the top surface finish will be Diamond 10 in lieu of Thermal.

Composition & Materials: Split Edge Pavers are a natural granite stone product. Granite is an igneous rock, formed from liquid magma, cooled slowly to form a substance approaching the hardness and durability of diamonds. Granite's three essential minerals are feldspar, quartz, and mica. These minerals occur in different proportions, giving each granite its own color, texture and structural characteristics.

Bottom Surface Finish: Surface may be sawn, thermal or partial polish. (No more than 50% polish left)

Edge Finish: Edges are split in a straight line with a hydraulic guillotine. The resulting edge is straight, but broken along the natural grain structure of the stone, resulting in concave and convex areas along the edge.

One or two edges of any individual split edge paver may have a sawn edge. If the stock used to cut a split edge paver has a straight edge, that edge is used as the pavers are cut, unless the purchaser specifies otherwise at the time of order. Once the pavers are installed, sawn edges are imperceptible.

Standard Thickness: 1 3/16", 2", 3 1/8", 3 7/8"

Thickness Tolerance: ± 1/8".

Recommended Joint Width: 3/4". Split edge granite paving is sold by square foot of coverage based on the recommended standard joint width.

Standard Sizes: 12" x 12", 8" x 4", 8" x 8", 4" x 4". Sizes may be actual or nominal, as specified by Purchaser.

Color Ranges:  
Black & Dark Gray  
Dark & Red Brown  
Red & Pink  
Light Pink & Light Gray  
Blue & Green

Custom Sizes or Color: 3 1/4" x 3 1/4" to 24" x 24" custom pavers available with confirmation of size and color.

Availability of specific granite colors is subject to availability of post-production stock. Pavers are produced and sold as quarry run, meaning the full color selection criteria for granite paving. Because

Top Face Dimension Tolerance: ± 1/4".

pavers are a by-product of cut-to-size granite, larger orders require sufficient lead time. Please contact a Coldspring representative for details.

Technical Information: Standard specification selection criteria for granite paving.

ASTM C 97:	Density .....	165 LBS/FT <sup>3</sup> Min.
	Absorption.....	0.40 % Max.
ASTM C 170:	Compressive Strength .....	19,000 PSI Min.
ASTM C 99:	Modulus of Rupture .....	1,500 PSI Min.
ASTM C 241:	Abrasion Resistance .....	HA25 Min.
ASTM C 880:	Flexural Strength .....	1,200 PSI Min.

File ASTM test results available.

#### **4. INSTALLATION**

Granite pavers are installed in a 1" to 2" wet mortar bed over a concrete slab or compacted fill base. The wet mortar bed is required to level the pavers (thickness tolerance  $\pm 1/8"$ ).

#### **5. AVAILABILITY AND COST**

Contact Coldspring for inventory availability, cost and area dealer.

#### **6. WARRANTY**

Granite supplied by Coldspring is natural material, subject to variations in color, shade, markings, and texture. Samples provided may vary from material delivered.

All goods are carefully packed and inspected before delivery to the freight carrier. Material should be inspected by the buyer upon receipt. Coldspring will assist with any supporting paperwork for Buyer's claim.

Claims Procedure: Claims that may arise due to damage or loss in transit, must be made directly with the freight carrier within five (5) days after receipt of material. Coldspring's responsibility ceases upon delivery to the Carrier.

Exclusions: No claims will be allowed for any labor, nor does Coldspring accept any claims after the material is worked, cut and/or installed.

Coldspring shall not be responsible for damages, directly or indirectly, for the loss of any profits or other legal relief, due to delay in delivery, or failure to deliver goods, if said delay is caused by flood, natural disaster, fire explosion, acts of God, strike, embargo, shortage of field, transportation, war, national emergency or anything beyond Coldspring's control.

#### **7. CANCELLATION**

If the Buyer chooses to cancel or reduce an order, Coldspring may accept or reject any such requests. Material accepted for return requires authorization from Coldspring and is subject to a 25% restock charge. Only material packed in original crating will be accepted for return.

#### **8. MAINTENANCE**

Granite is easy to care for. Clean with mild soap and water. For stain prevention and removal, contact a stone care company. Information about such companies is available through Coldspring.

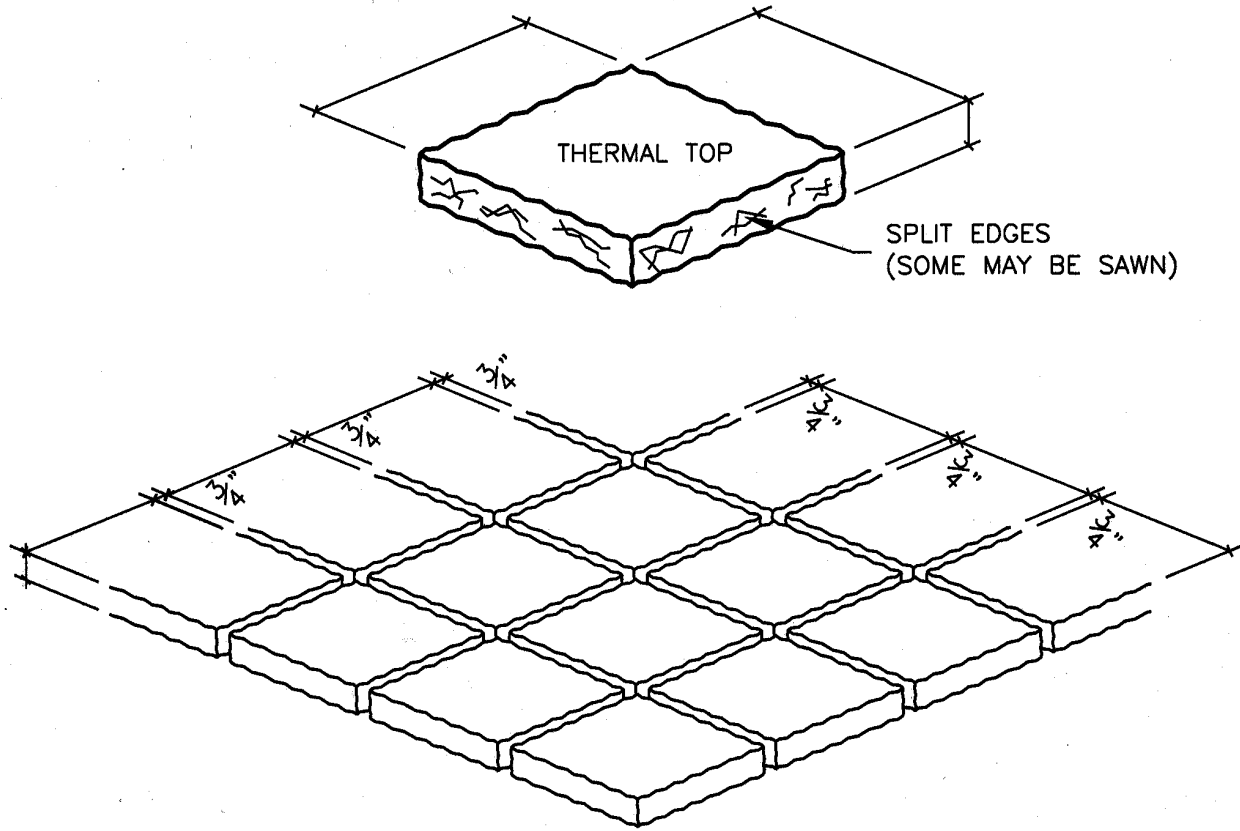
#### **9. TECHNICAL SERVICES**

Local Coldspring dealers can address most specification, installation, and application questions. For further technical information, or the name of your area dealer, call Coldspring at 800-328-5040.

#### **10. COLOR RANGE**

Full quarry color range is provided without exception. They are produced as a standard stock item. Pavers will display broader range of color tone and natural quarry markings than custom cut work. The only criteria for rejection is the product quality, as relates to soundness.

Any range sample submitted for the custom fabricated portion of the project cannot be used as criteria for acceptance of the Split Edge paver portion of the project.



## PLAN OF SPLIT EDGE PAVERS

\_\_\_\_\_ PIECES USING 3/4" JOINTS

TO COVER \_\_\_\_\_ SQUARE FEET