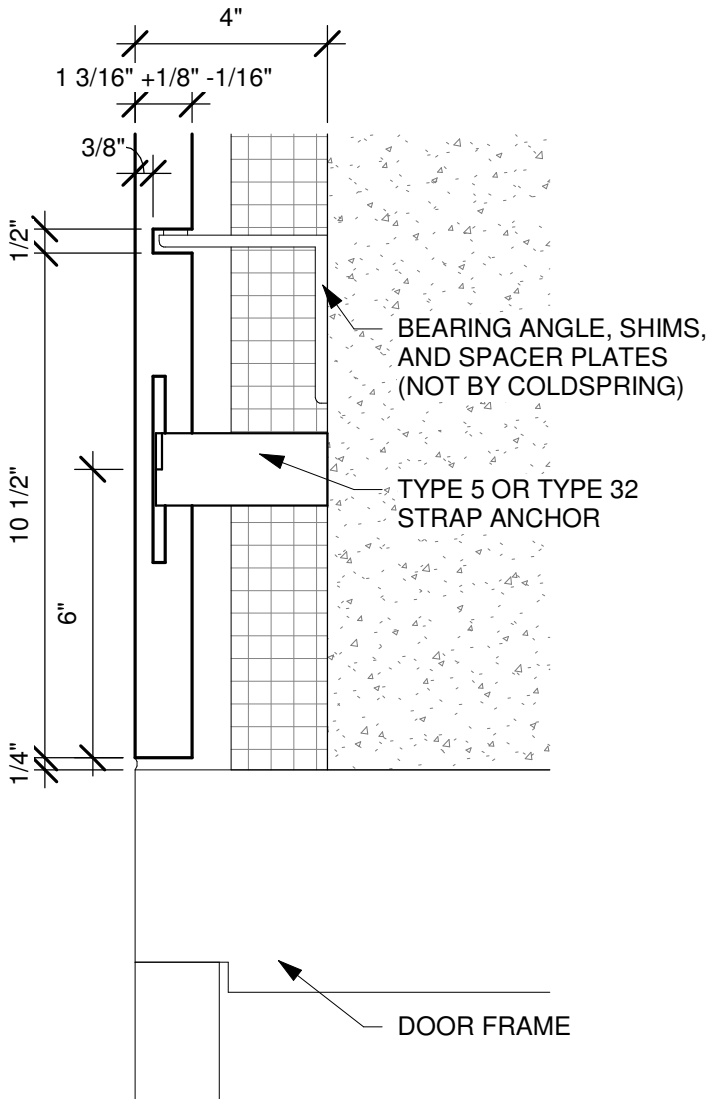
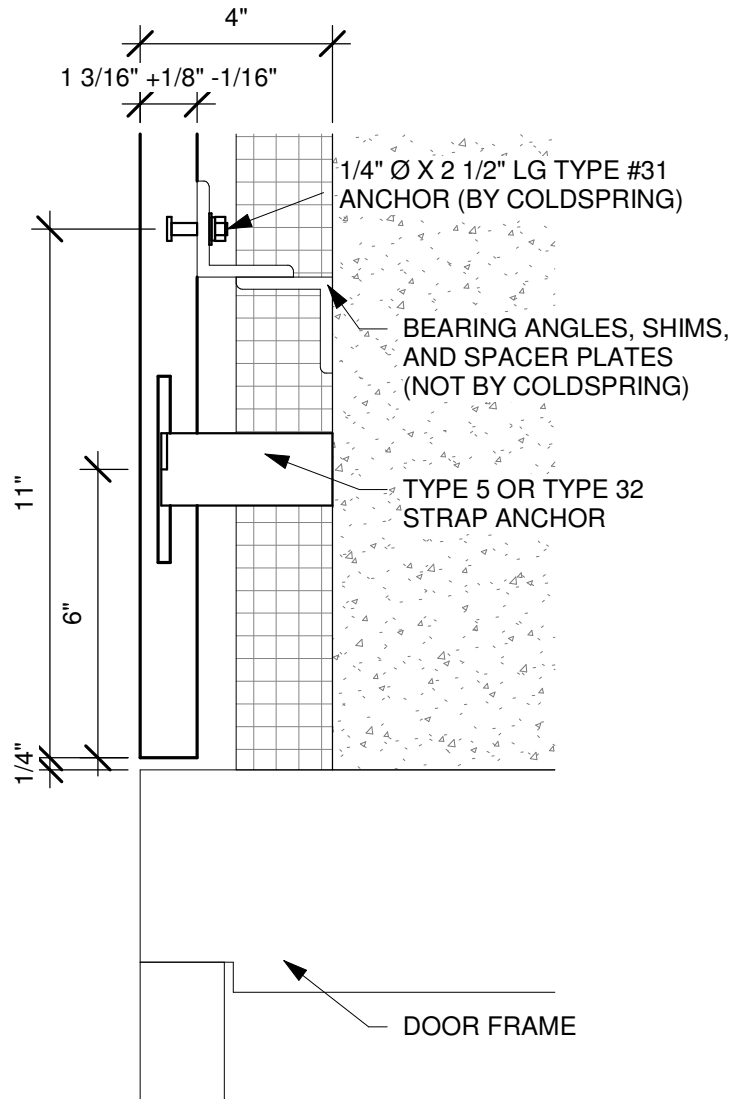


ANCHORING DETAILS ARE FOR REFERENCE ONLY. FINAL SPECIFICATIONS AND DETAILS SHOULD BE APPROVED BY A LICENSED ENGINEER.



④C DOOR SECTION - BEARING CHECK
SCALE: 3" = 1'-0"



④ DOOR SECTION - TYPE #31 BEARING
SCALE: 3" = 1'-0"

DR-040 (10Feb25)

DESCRIPTION:

EXAMPLE EXTERIOR WALL - (30mm) DOOR SECTION

SHEET #:
1.4

SCALE:
As indicated

DRAWN BY:
DM

DATE:
3/7/2025



COLDSRING®

17482 GRANITE WEST ROAD, COLD SPRING, MN 56320
PHONE 320.685.3621 | WWW.COLDSRINGUSA.COM