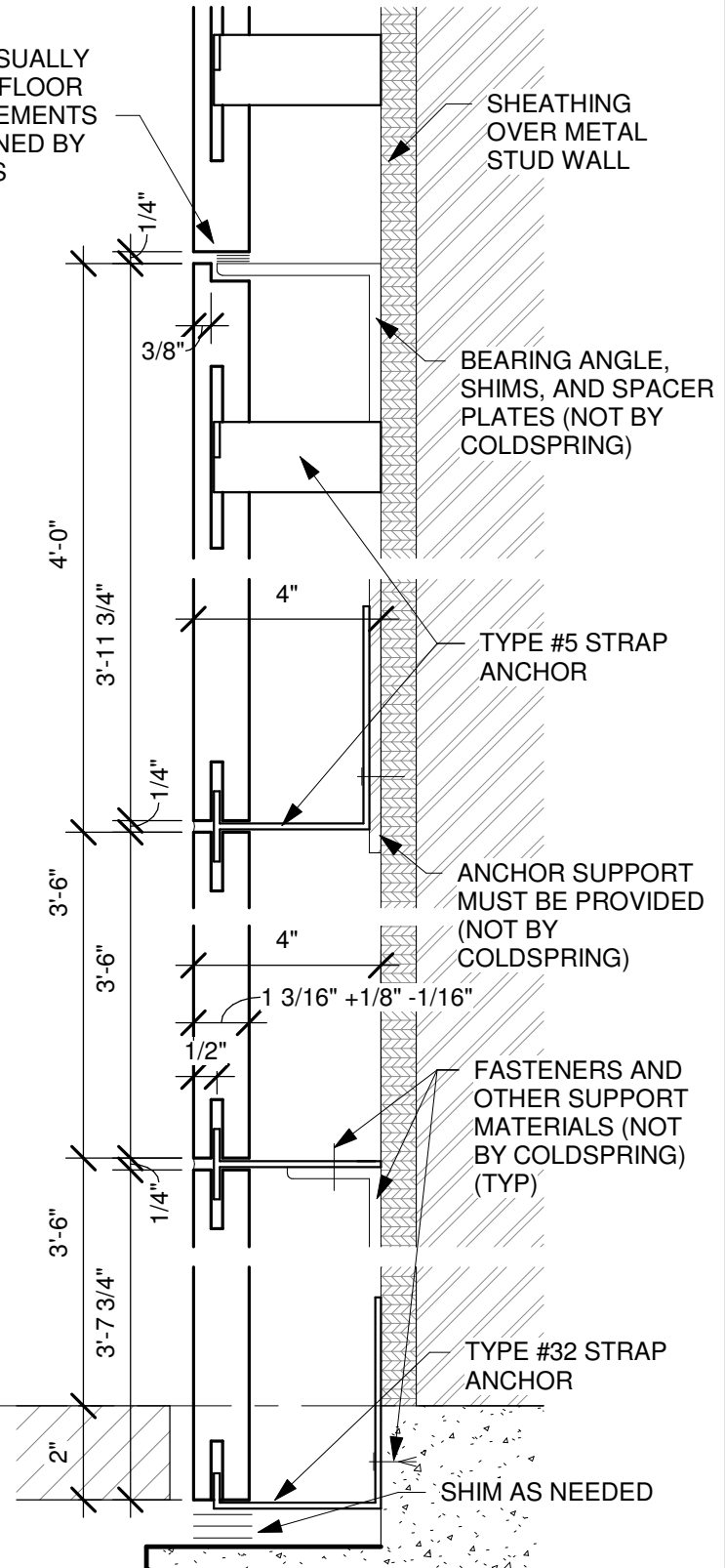
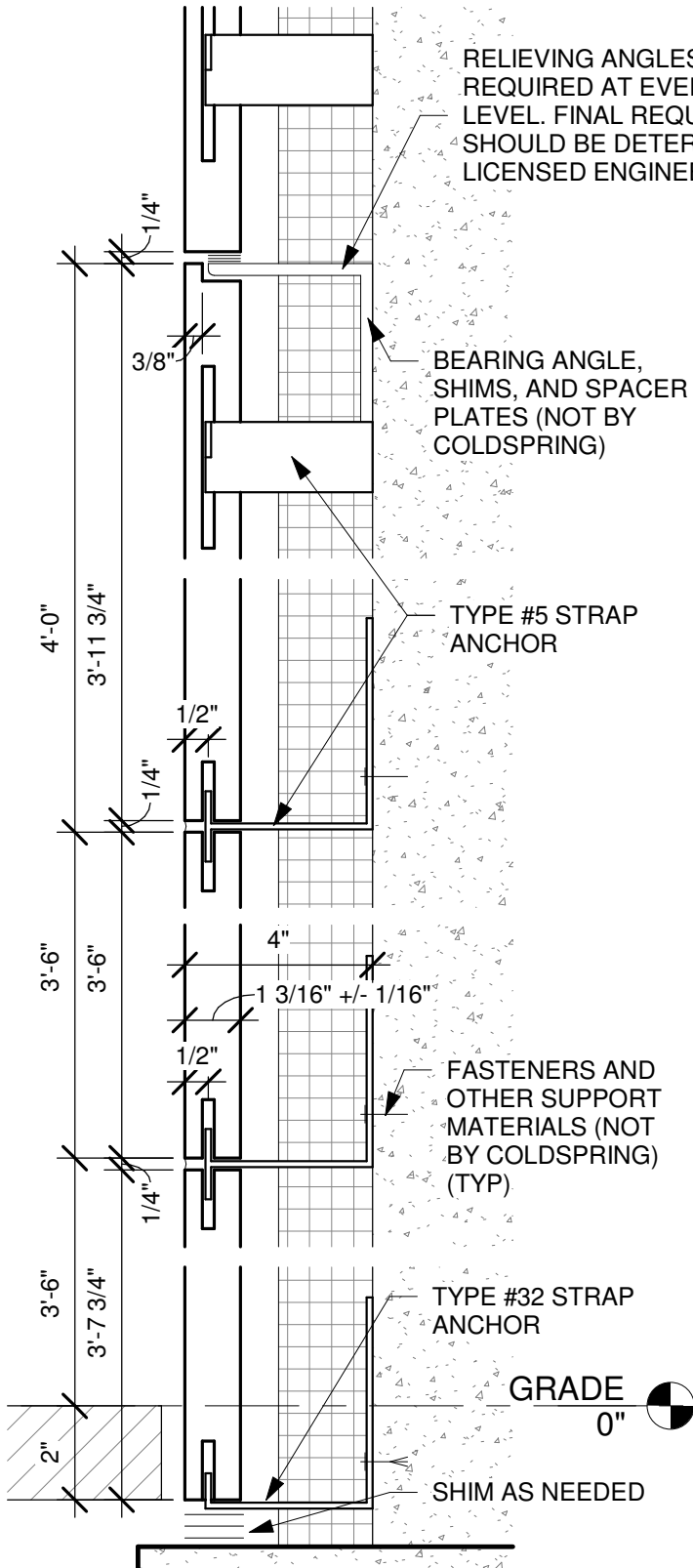


ANCHORING DETAILS ARE FOR REFERENCE ONLY. FINAL SPECIFICATIONS AND DETAILS SHOULD BE APPROVED BY A LICENSED ENGINEER.



①C WALL SECTION - 30mm / CONC WALL
SCALE: 3" = 1'-0"

①S WALL SECTION - 30mm / STEEL WALL
SCALE: 3" = 1'-0"

DR-040 (10Feb25)

DESCRIPTION:			
EXAMPLE EXTERIOR WALL - (30mm) WALL SECTION			
SHEET #:	SCALE:	DRAWN BY:	DATE:
1.1	As indicated	DM	3/7/2025



COLDSPRING®

17482 GRANITE WEST ROAD, COLD SPRING, MN 56320
PHONE 320.685.3621 | WWW.COLDSPRINGUSA.COM