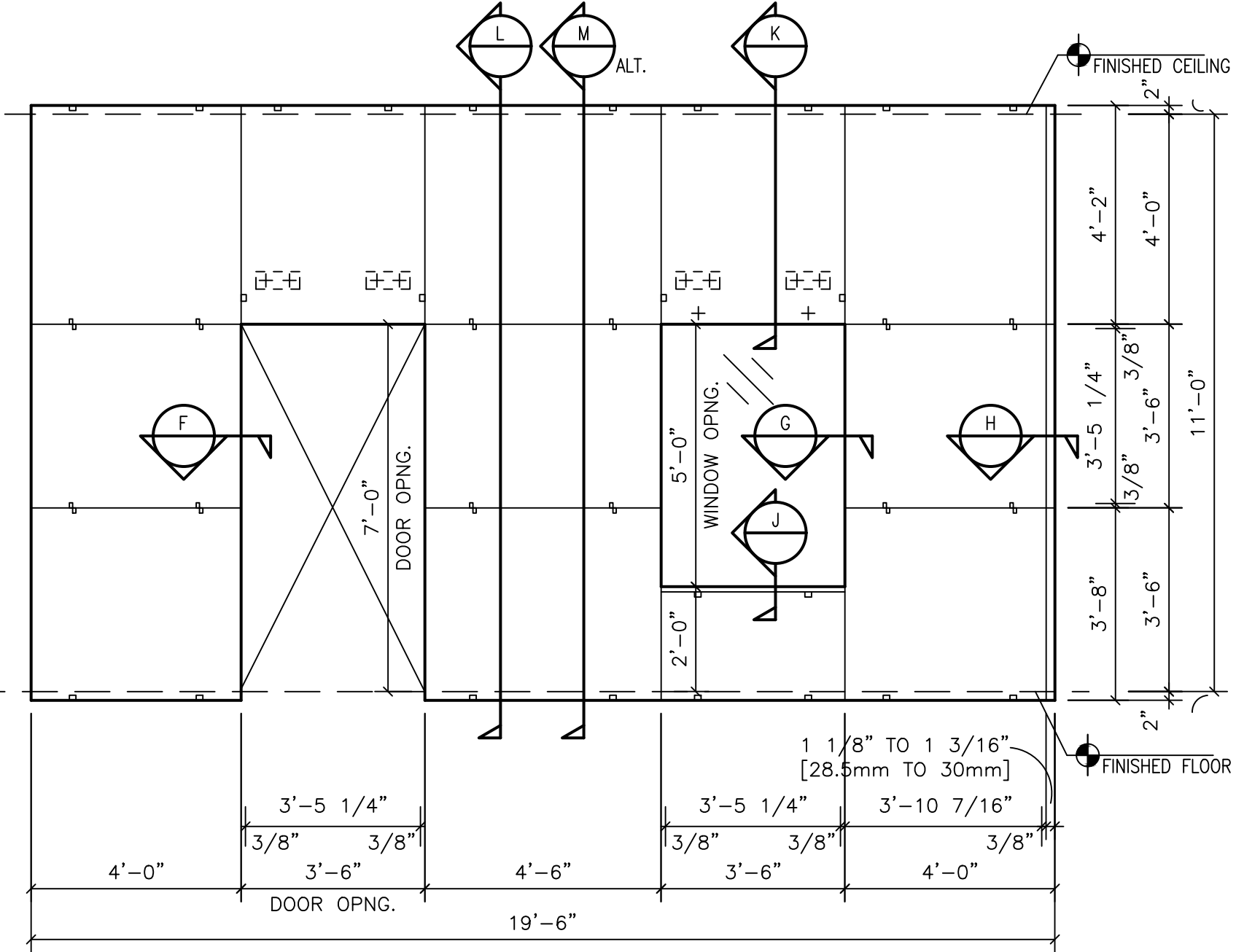


ANCHORING DETAILS ARE FOR REFERENCE ONLY. FINAL SPECIFICATIONS AND DETAILS SHOULD BE APPROVED BY A LICENSED ENGINEER.

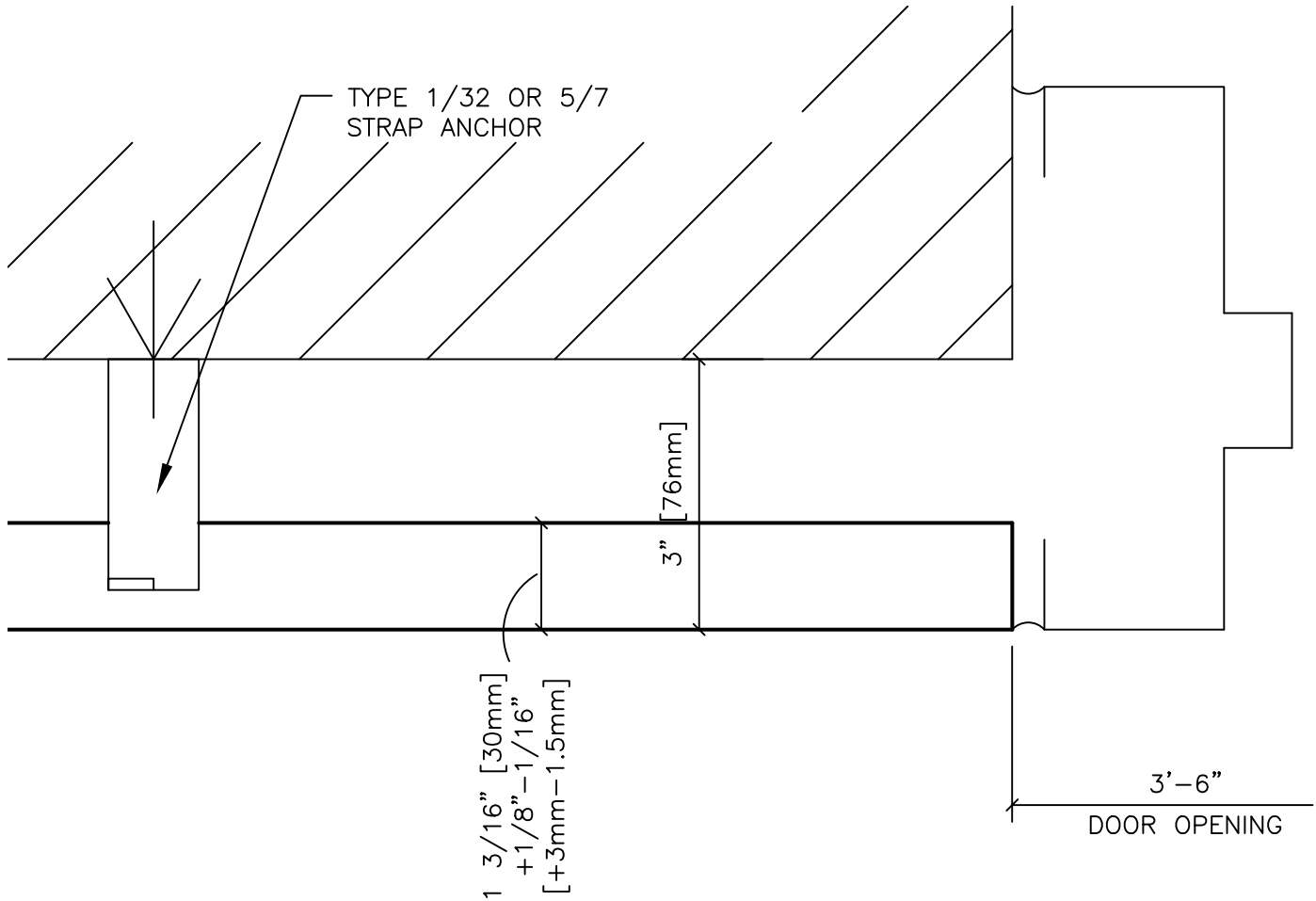


DR-040(10Feb25)

COLDSPRING®
 17482 GRANITE WEST ROAD, COLD SPRING, MN 56320
 PHONE 320.685.3621 | WWW.COLDSPRINGUSA.COM

DESCRIPTION: EXAMPLE INTERIOR WALL ELEVATION 30mm	
SHEET #:	SCALE: 3/8" = 1'-0"
DRAWN BY: LB/KM	DATE: 3/6/2025

ANCHORING DETAILS ARE FOR REFERENCE ONLY. FINAL SPECIFICATIONS AND DETAILS SHOULD BE APPROVED BY A LICENSED ENGINEER.



SECTION F

DR-040(10Feb25)

DESCRIPTION:

EXAMPLE INTERIOR WALL - SECTION F

30mm

SHEET #:

SCALE:

FULL SIZE

DRAWN BY:

LB/KM

DATE:

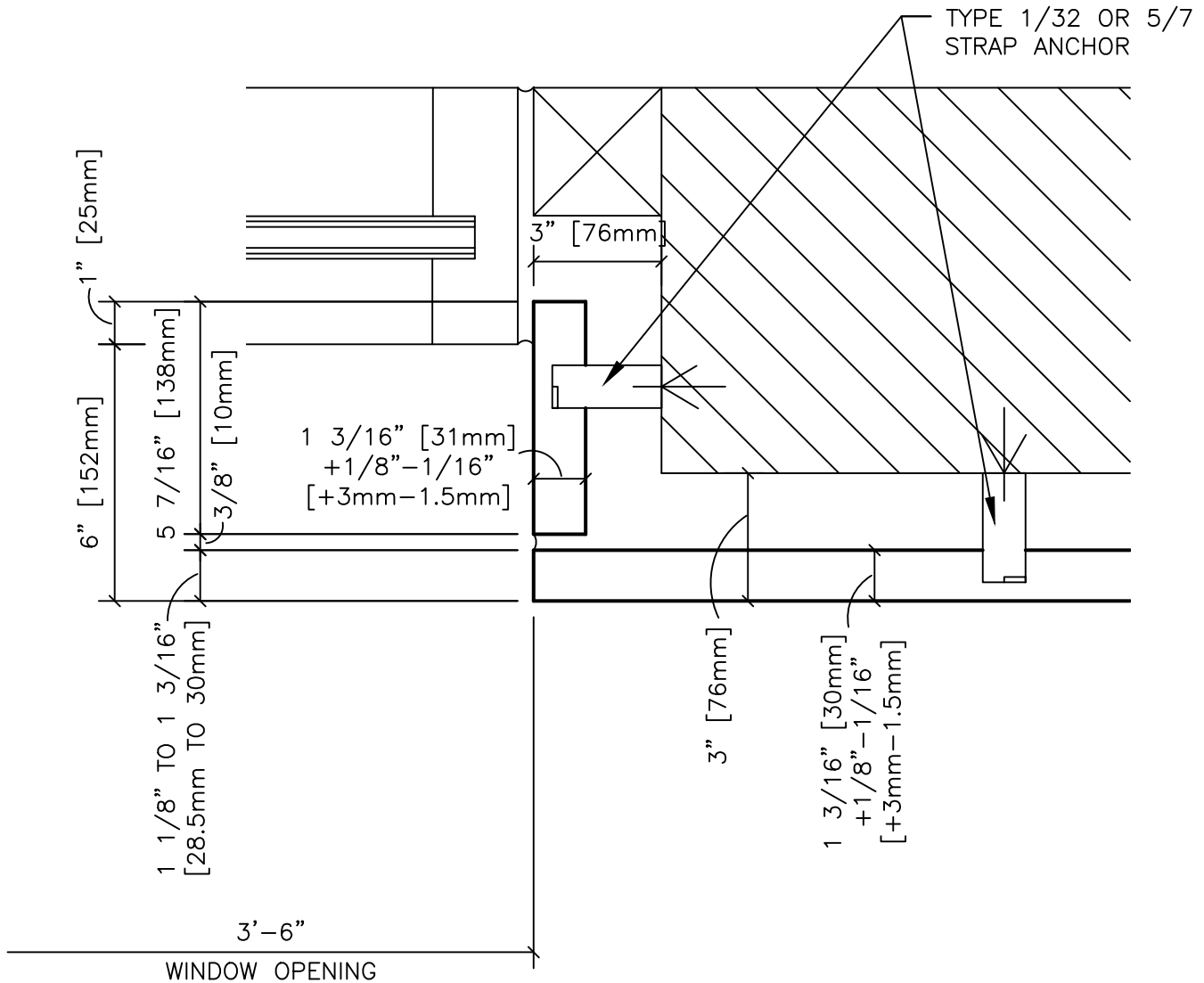
3/6/2025



COLDSPRING®

17482 GRANITE WEST ROAD, COLD SPRING, MN 56320
PHONE 320.685.3621 | WWW.COLDSPRINGUSA.COM

ANCHORING DETAILS ARE FOR REFERENCE ONLY. FINAL SPECIFICATIONS AND DETAILS SHOULD BE APPROVED BY A LICENSED ENGINEER.



SECTION G

DR-040(10Feb25)

DESCRIPTION:

EXAMPLE INTERIOR WALL - SECTION G
30mm

SHEET #:

SCALE:

3" = 1'-0"

DRAWN BY:

LB/KM

DATE:

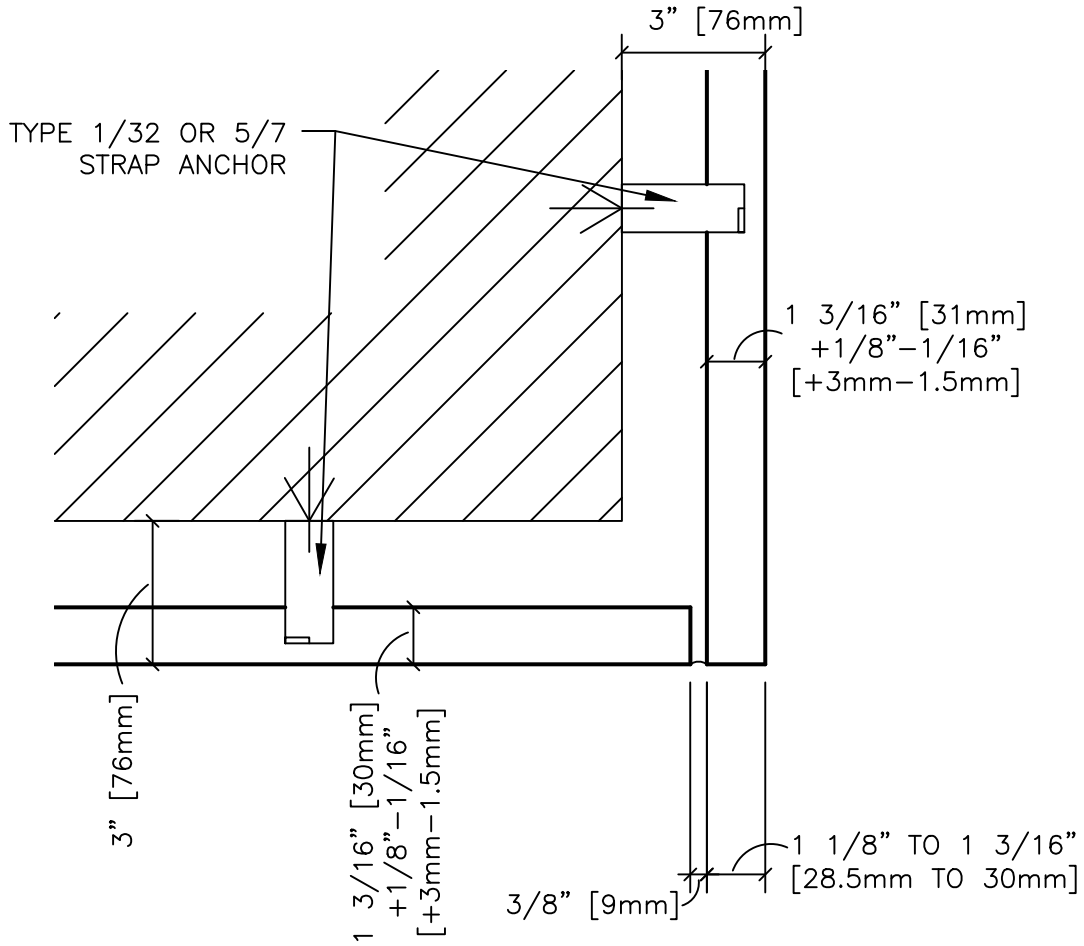
3/6/2025



COLDSPRING®

17482 GRANITE WEST ROAD, COLD SPRING, MN 56320
PHONE 320.685.3621 | WWW.COLDSPRINGUSA.COM

ANCHORING DETAILS ARE FOR REFERENCE ONLY. FINAL SPECIFICATIONS AND DETAILS SHOULD BE APPROVED BY A LICENSED ENGINEER.



SECTION H

DR-040(10Feb25)

DESCRIPTION:

EXAMPLE INTERIOR WALL - SECTION H
30mm

SHEET #:

SCALE:

3" = 1'-0"

DRAWN BY:

LB/KM

DATE:

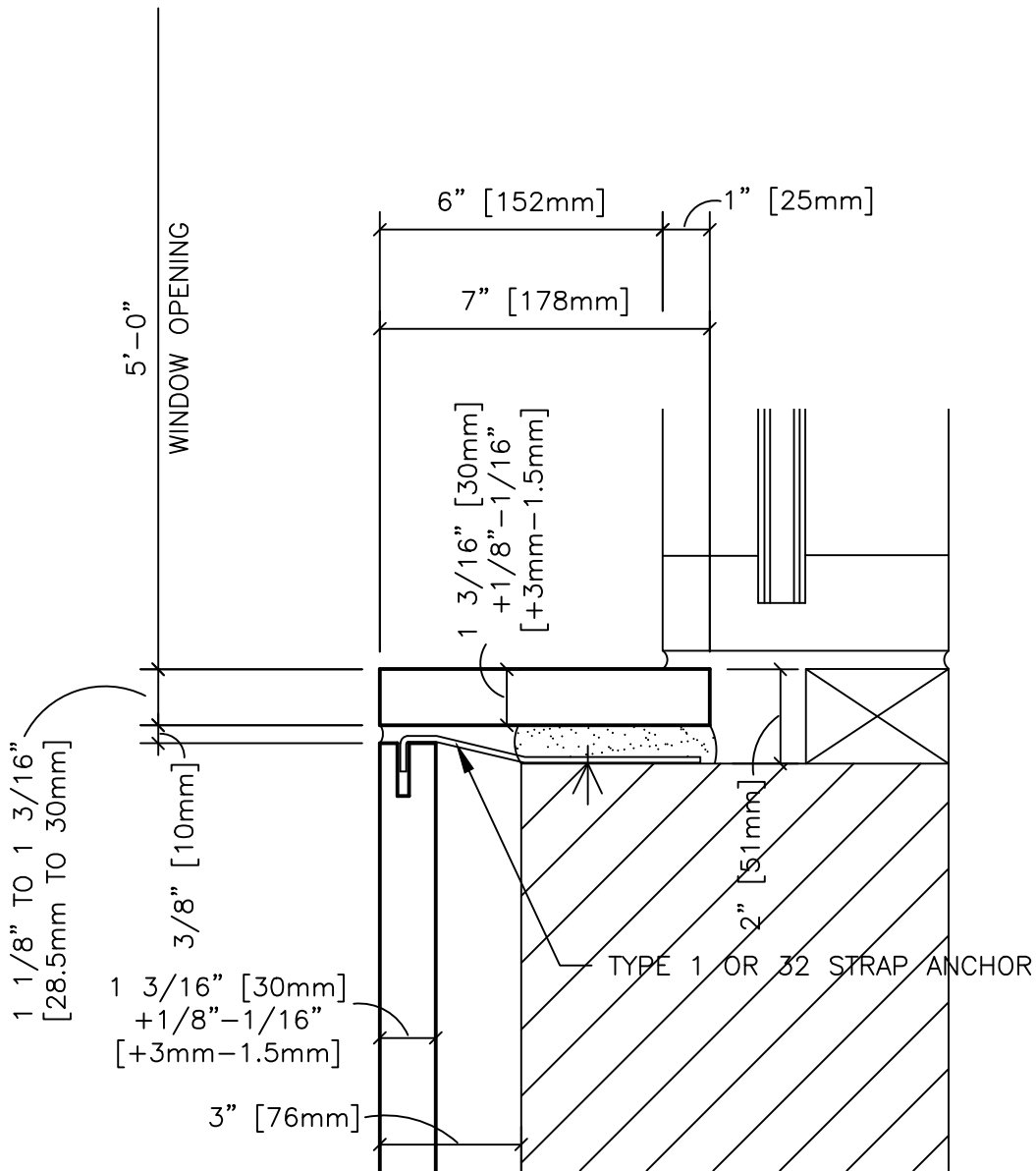
3/6/2025



COLDSPRING®

17482 GRANITE WEST ROAD, COLD SPRING, MN 56320
PHONE 320.685.3621 | WWW.COLDSPRINGUSA.COM

ANCHORING DETAILS ARE FOR REFERENCE ONLY. FINAL SPECIFICATIONS AND DETAILS SHOULD BE APPROVED BY A LICENSED ENGINEER.



SECTION J

DR-040(10Feb25)

DESCRIPTION:

EXAMPLE INTERIOR WALL - SECTION J
30mm

SHEET #:

SCALE:

3" = 1'-0"

DRAWN BY:

LB/KM

DATE:

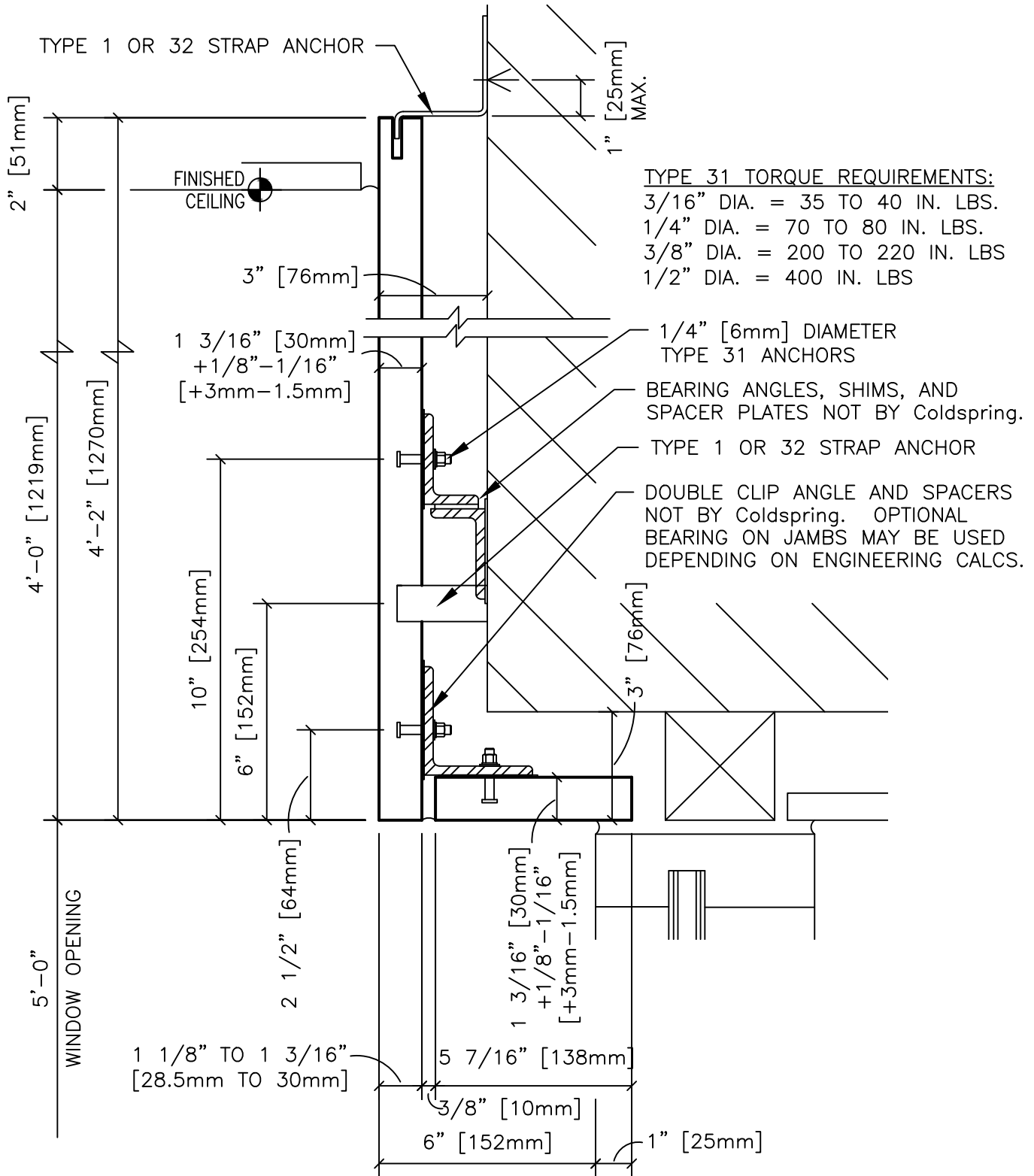
3/4/2025



COLDSPRING®

17482 GRANITE WEST ROAD, COLD SPRING, MN 56320
PHONE 320.685.3621 | WWW.COLDSPRINGUSA.COM

ANCHORING DETAILS ARE FOR REFERENCE ONLY. FINAL SPECIFICATIONS AND DETAILS SHOULD BE APPROVED BY A LICENSED ENGINEER.



SECTION K

DR-040(10Feb25)

DESCRIPTION:

EXAMPLE INTERIOR WALL - SECTION K
 30mm

SHEET #:

SCALE:

3" = 1'-0"

DRAWN BY:

LB/KM

DATE:

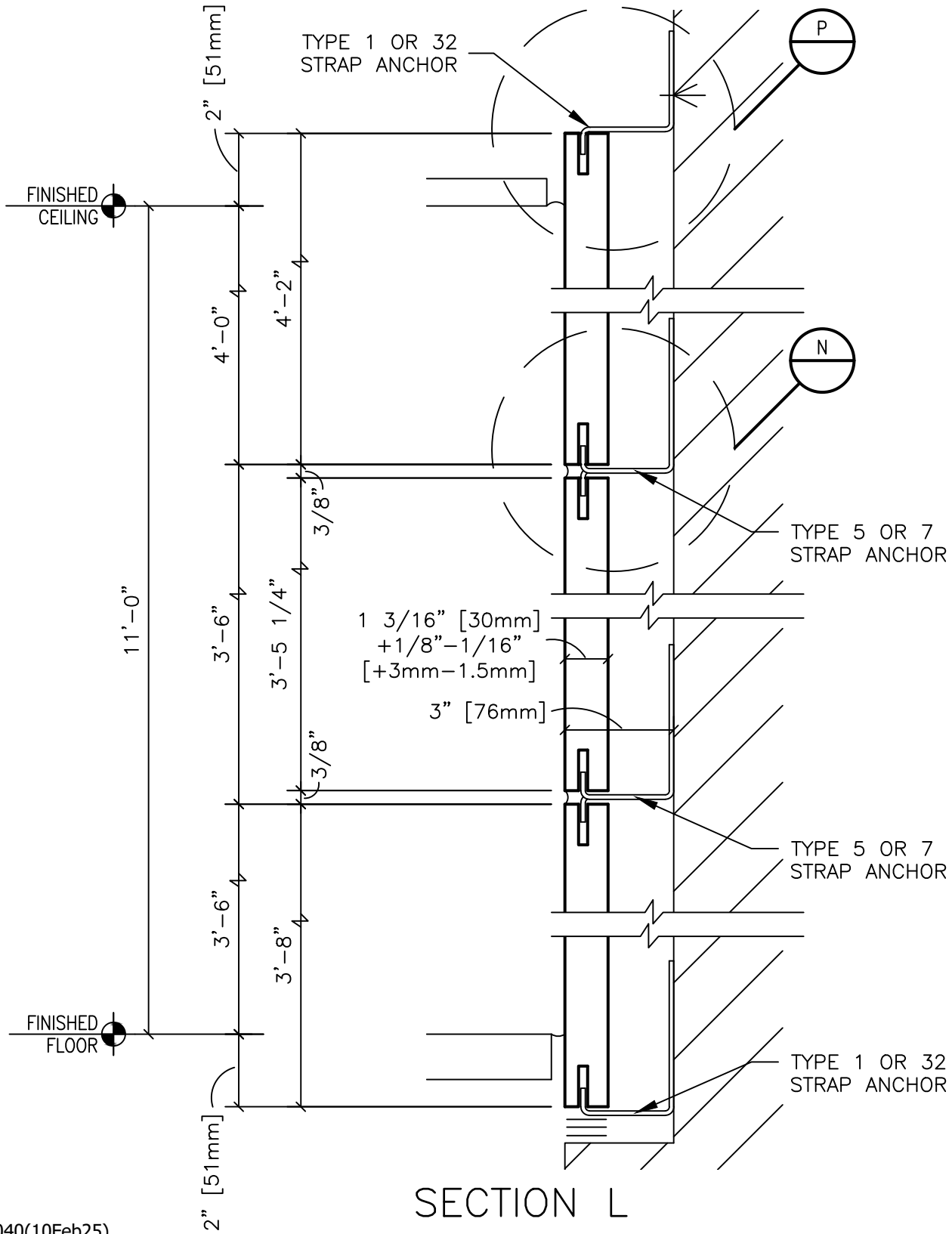
3/6/2025



COLDSRING®

17482 GRANITE WEST ROAD, COLD SPRING, MN 56320
 PHONE 320.685.3621 | WWW.COLDSRINGUSA.COM

ANCHORING DETAILS ARE FOR REFERENCE ONLY. FINAL SPECIFICATIONS AND DETAILS SHOULD BE APPROVED BY A LICENSED ENGINEER.



DR-040(10Feb25)

DESCRIPTION:

EXAMPLE INTERIOR WALL - SECTION L
30mm

SHEET #:

SCALE:

3" = 1'-0"

DRAWN BY:

LB/KM

DATE:

3/6/2025

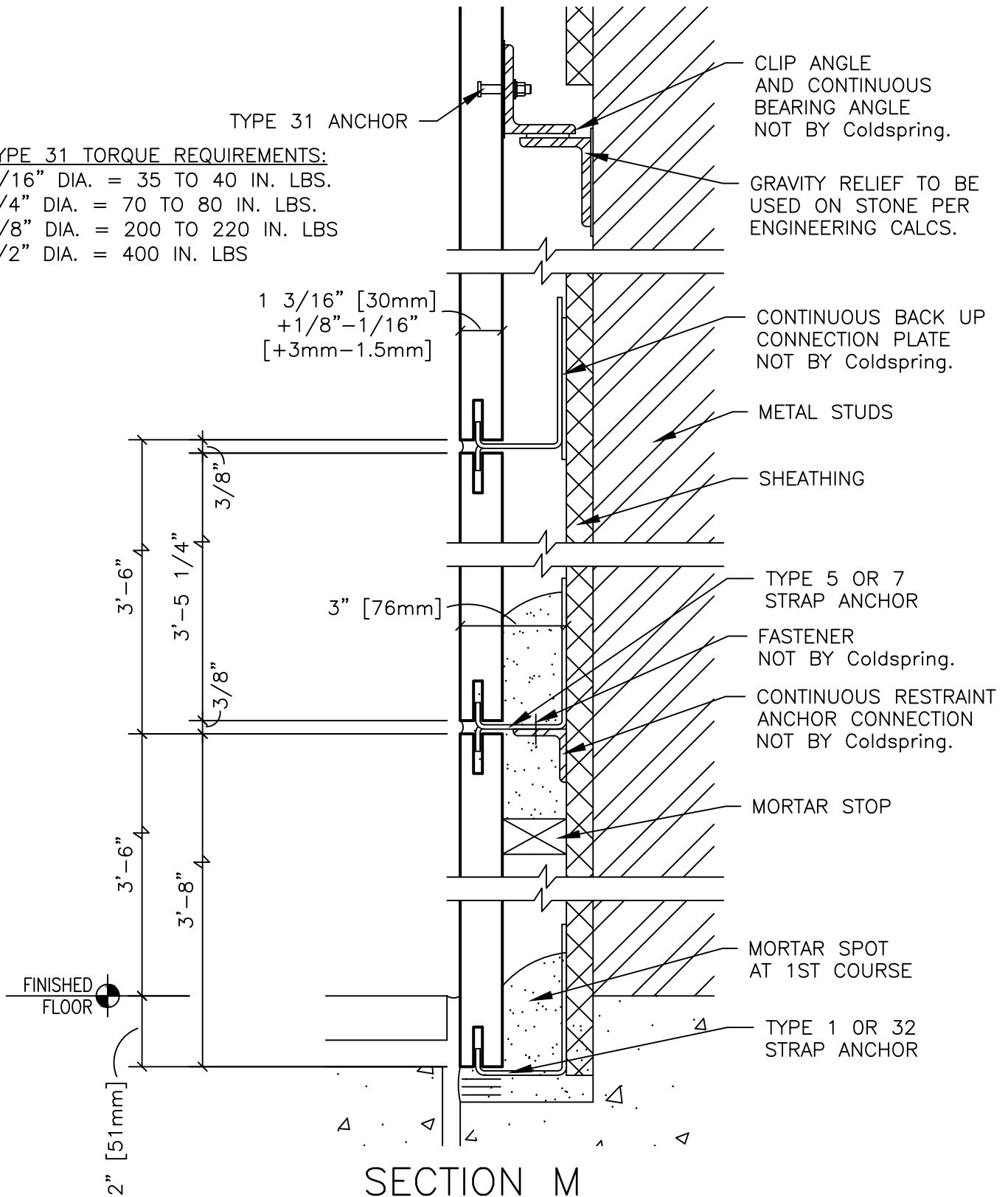


COLDSPRING®

17482 GRANITE WEST ROAD, COLD SPRING, MN 56320
PHONE 320.685.3621 | WWW.COLDSPRINGUSA.COM

ANCHORING DETAILS ARE FOR REFERENCE ONLY. FINAL SPECIFICATIONS AND DETAILS SHOULD BE APPROVED BY A LICENSED ENGINEER.

TYPE 31 TORQUE REQUIREMENTS:
 3/16" DIA. = 35 TO 40 IN. LBS.
 1/4" DIA. = 70 TO 80 IN. LBS.
 3/8" DIA. = 200 TO 220 IN. LBS.
 1/2" DIA. = 400 IN. LBS



SECTION M

DR-040(10Feb25)

DESCRIPTION:

EXAMPLE INTERIOR WALL - SECTION M
 30mm

SHEET #:

SCALE:

3" = 1'-0"

DRAWN BY:

LB/KM

DATE:

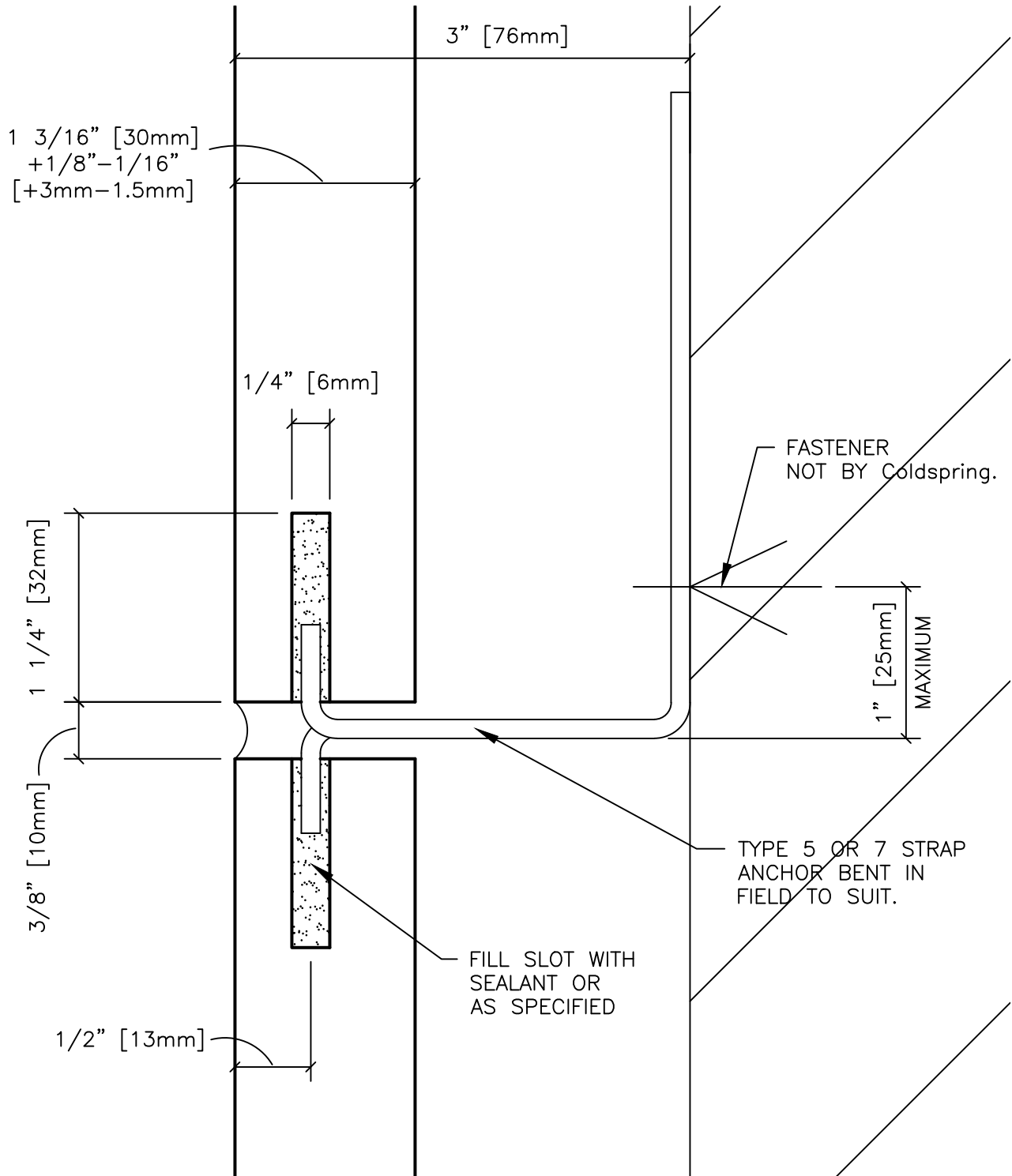
3/6/2025



COLDSPRING®

17482 GRANITE WEST ROAD, COLD SPRING, MN 56320
 PHONE 320.685.3621 | WWW.COLDSPRINGUSA.COM

ANCHORING DETAILS ARE FOR REFERENCE ONLY. FINAL SPECIFICATIONS AND DETAILS SHOULD BE APPROVED BY A LICENSED ENGINEER.



SECTION N

DR-040(10Feb25)

DESCRIPTION:

EXAMPLE INTERIOR WALL - SECTION N
30mm

SHEET #:

SCALE:

FULL SIZE

DRAWN BY:

LB/KM

DATE:

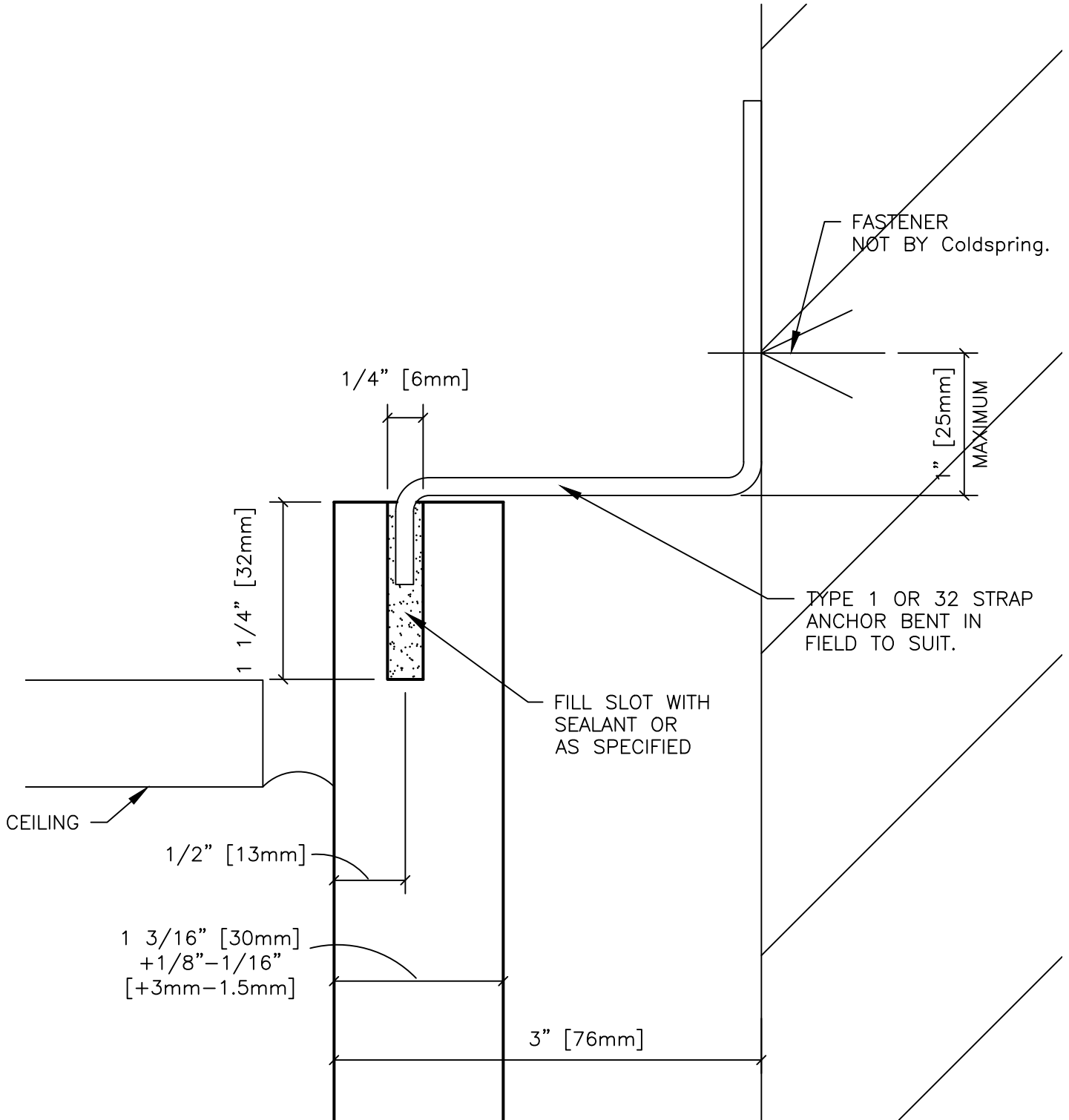
3/6/2025



COLDSRING®

17482 GRANITE WEST ROAD, COLD SPRING, MN 56320
PHONE 320.685.3621 | WWW.COLDSRINGUSA.COM

ANCHORING DETAILS ARE FOR REFERENCE ONLY. FINAL SPECIFICATIONS AND DETAILS SHOULD BE APPROVED BY A LICENSED ENGINEER.



SECTION P

DR-040(10Feb25)

DESCRIPTION:

EXAMPLE INTERIOR WALL - SECTION P
30mm

SHEET #:

SCALE:

FULL SIZE

DRAWN BY:

LB/KM

DATE:

3/6/2025



COLDSRING®

17482 GRANITE WEST ROAD, COLD SPRING, MN 56320
PHONE 320.685.3621 | WWW.COLDSRINGUSA.COM