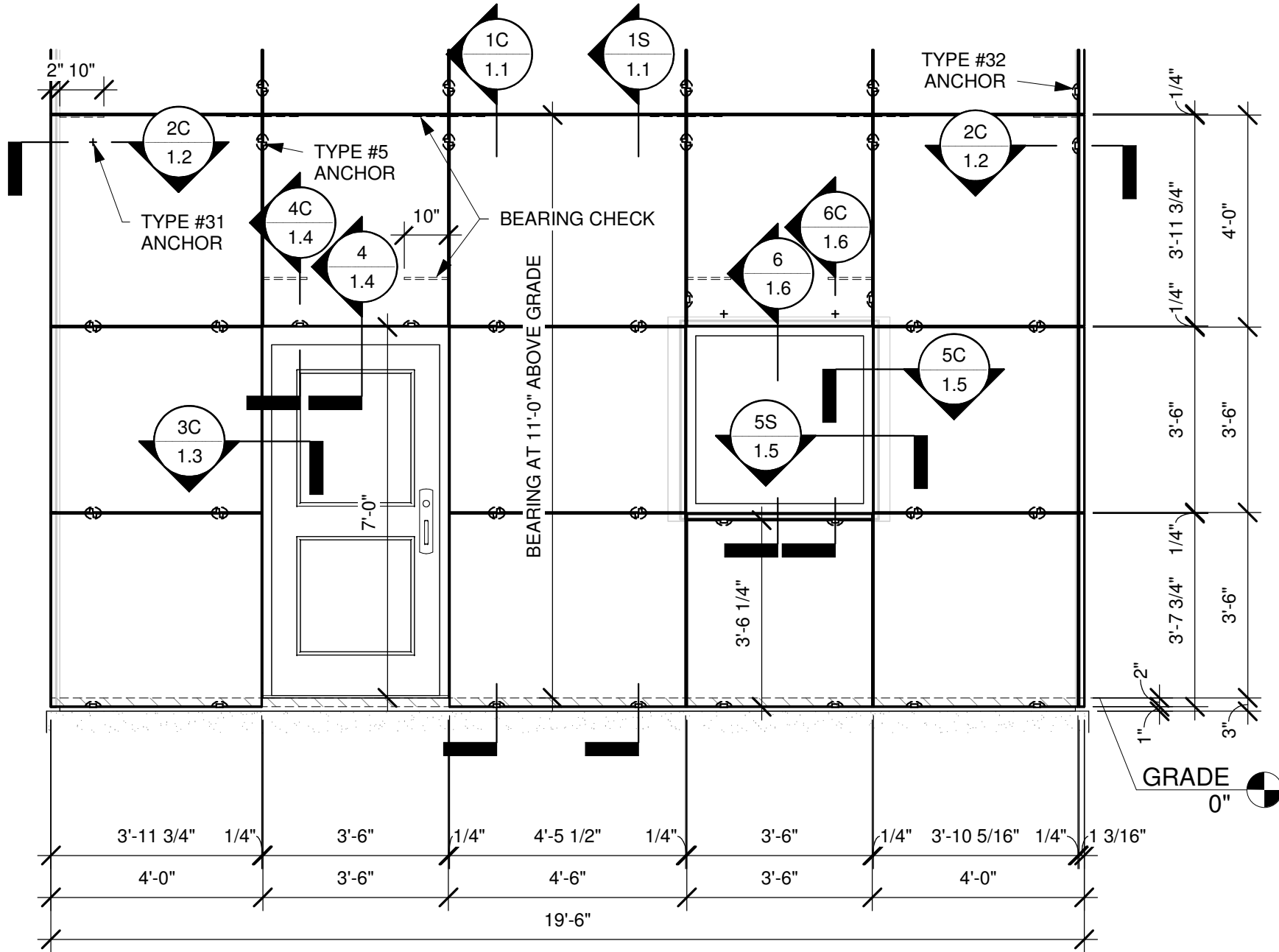


ANCHORING DETAILS ARE FOR REFERENCE ONLY. FINAL SPECIFICATIONS AND DETAILS SHOULD BE APPROVED BY A LICENSED ENGINEER.



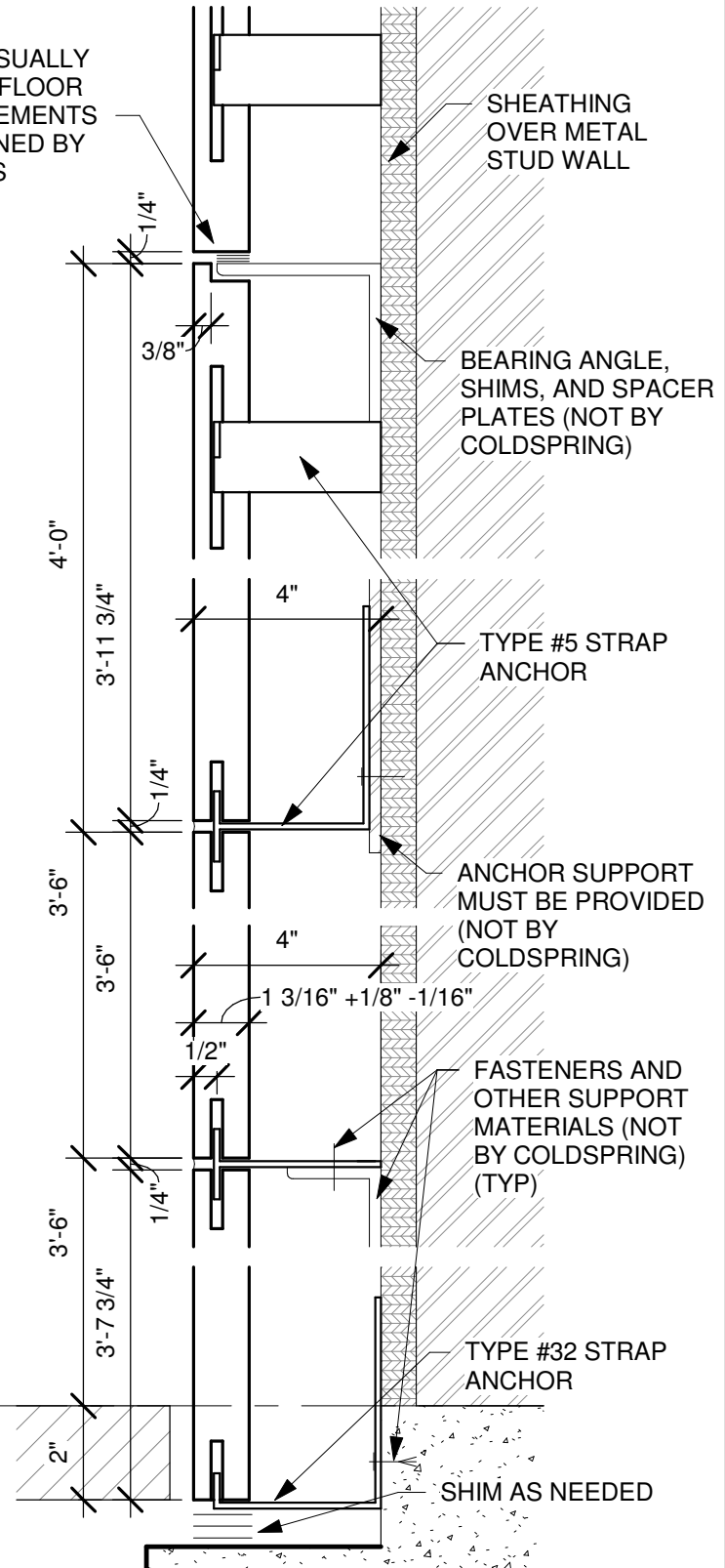
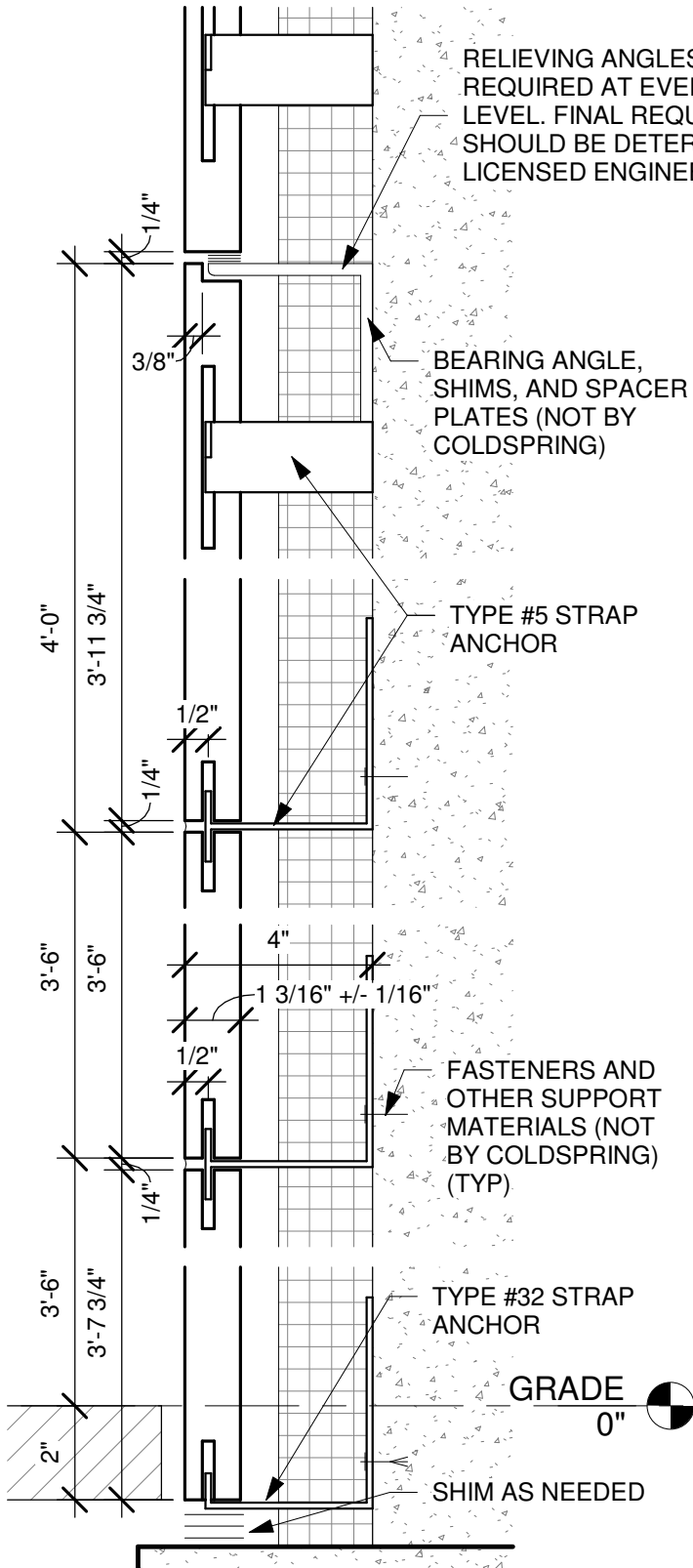
0 EXAMPLE EXTERIOR WALL ELEVATION (30mm)
SCALE: 3/8" = 1'-0"

DR-040 (10Feb25)

COLDSRING®
 17482 GRANITE WEST ROAD, COLD SPRING, MN 56320
 PHONE 320.685.3621 | WWW.COLDSRINGUSA.COM

DESCRIPTION: EXAMPLE EXTERIOR WALL - ELEVATION	
SHEET #: 1.0	SCALE: As indicated
DRAWN BY: DM	DATE: 3/7/2025

ANCHORING DETAILS ARE FOR REFERENCE ONLY. FINAL SPECIFICATIONS AND DETAILS SHOULD BE APPROVED BY A LICENSED ENGINEER.



①C WALL SECTION - 30mm / CONC WALL
SCALE: 3" = 1'-0"

①S WALL SECTION - 30mm / STEEL WALL
SCALE: 3" = 1'-0"

DR-040 (10Feb25)

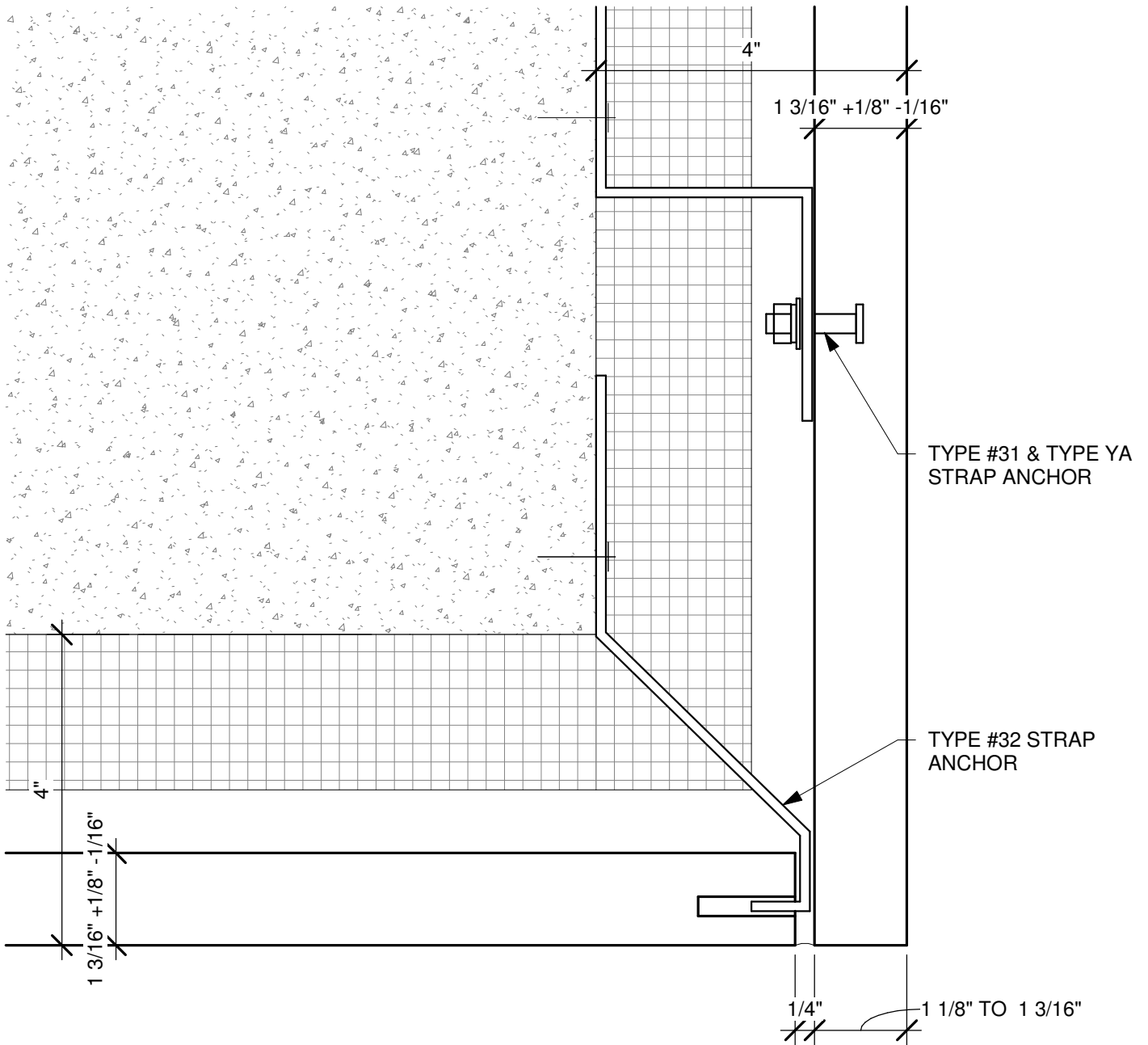
DESCRIPTION:			
EXAMPLE EXTERIOR WALL - (30mm) WALL SECTION			
SHEET #:	SCALE:	DRAWN BY:	DATE:
1.1	As indicated	DM	3/7/2025



COLDSPRING®

17482 GRANITE WEST ROAD, COLD SPRING, MN 56320
PHONE 320.685.3621 | WWW.COLDSPRINGUSA.COM

ANCHORING DETAILS ARE FOR REFERENCE ONLY. FINAL SPECIFICATIONS AND DETAILS SHOULD BE APPROVED BY A LICENSED ENGINEER.



2C CORNER DETAIL
SCALE: 6" = 1'-0"

DR-040 (10Feb25)

DESCRIPTION:

EXAMPLE EXTERIOR WALL - (30mm) CORNER DETAIL

SHEET #:
1.2

SCALE:
As indicated

DRAWN BY:
DM

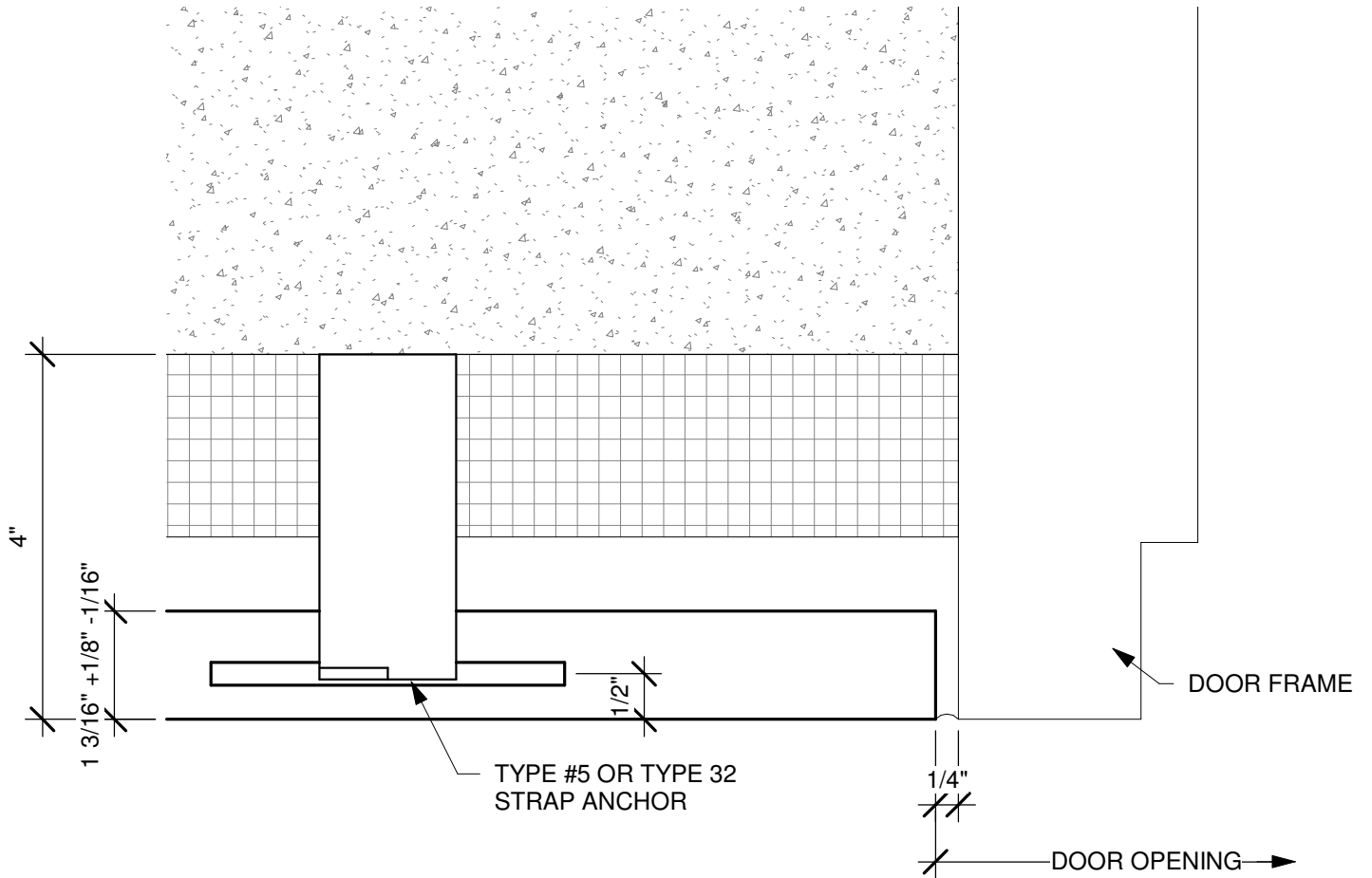
DATE:
3/7/2025



COLDSPRING®

17482 GRANITE WEST ROAD, COLD SPRING, MN 56320
PHONE 320.685.3621 | WWW.COLDSPRINGUSA.COM

ANCHORING DETAILS ARE FOR REFERENCE ONLY. FINAL SPECIFICATIONS AND DETAILS SHOULD BE APPROVED BY A LICENSED ENGINEER.



3C EXAMPLE EXTERIOR DOOR DETAIL (CONC)
SCALE: 6" = 1'-0"

2" MIN SETTING SPACE FOR 1 3/16" THICKNESS, 2 1/2" MIN WITH BEARING
SETTING SPACE GREATER THAN 6" WILL REQUIRE CUSTOM ANCHORS

DR-040 (10Feb25)

DESCRIPTION:

EXAMPLE EXTERIOR WALL - (30mm) DOOR PLAN DETAIL

SHEET #:
1.3

SCALE:
As indicated

DRAWN BY:
DM

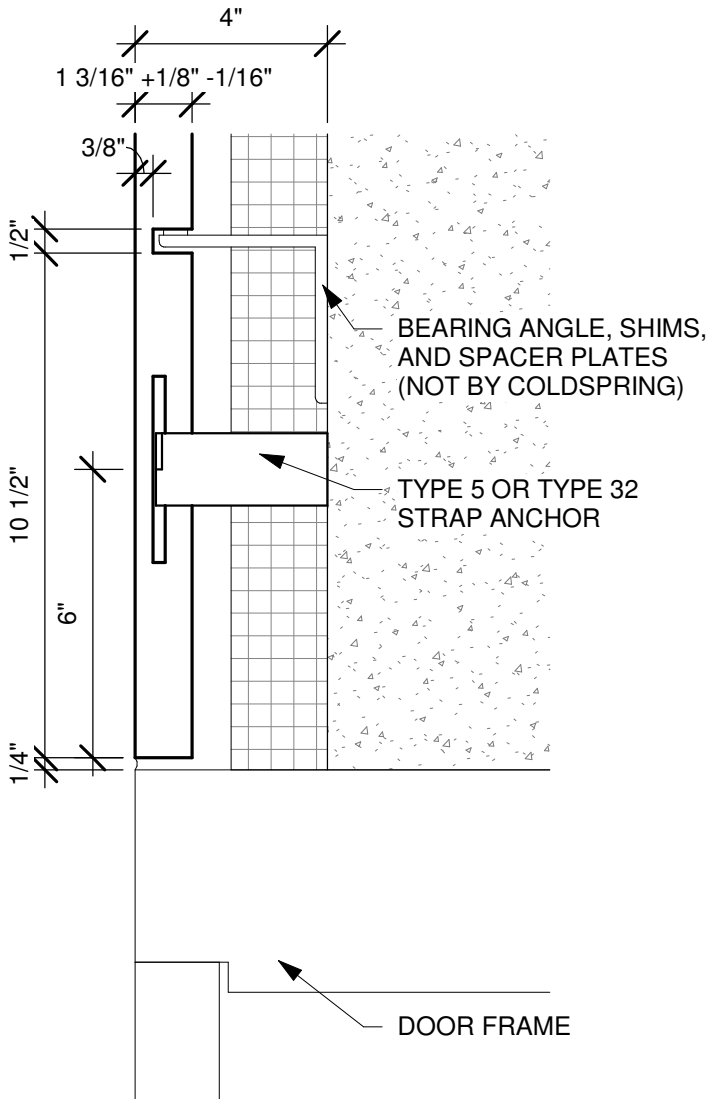
DATE:
3/7/2025



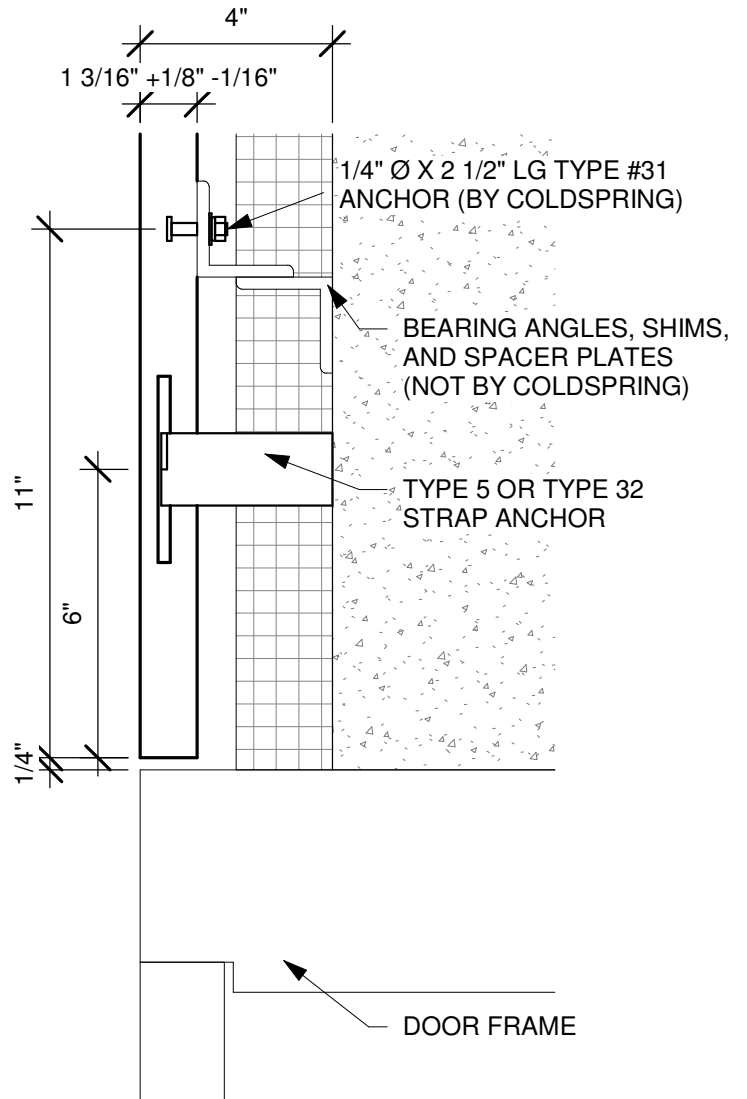
COLDSPRING®

17482 GRANITE WEST ROAD, COLD SPRING, MN 56320
PHONE 320.685.3621 | WWW.COLDSPRINGUSA.COM

ANCHORING DETAILS ARE FOR REFERENCE ONLY. FINAL SPECIFICATIONS AND DETAILS SHOULD BE APPROVED BY A LICENSED ENGINEER.



④C DOOR SECTION - BEARING CHECK
SCALE: 3" = 1'-0"



④ DOOR SECTION - TYPE #31 BEARING
SCALE: 3" = 1'-0"

DR-040 (10Feb25)

DESCRIPTION:

EXAMPLE EXTERIOR WALL - (30mm) DOOR SECTION

SHEET #:
1.4

SCALE:
As indicated

DRAWN BY:
DM

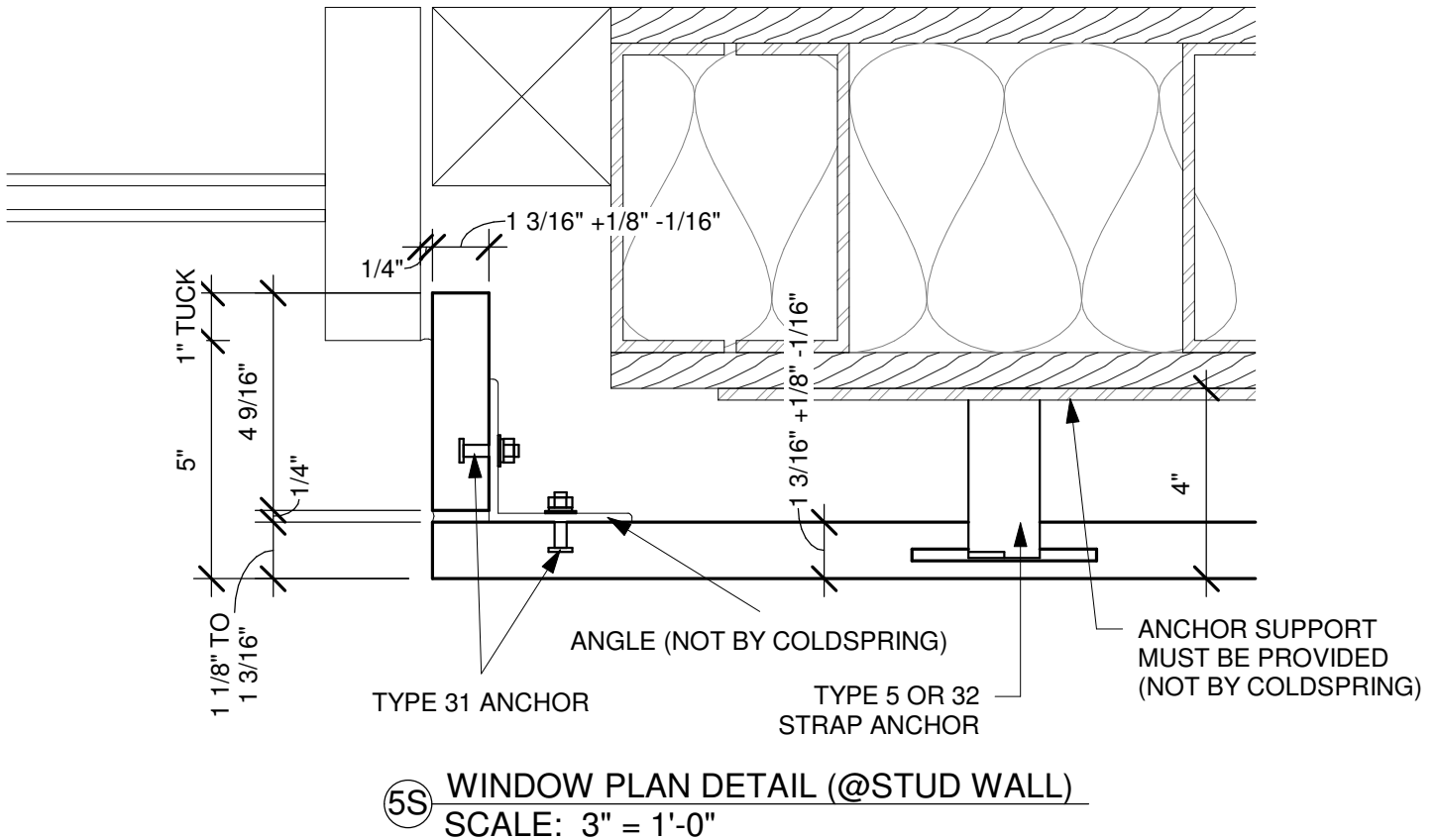
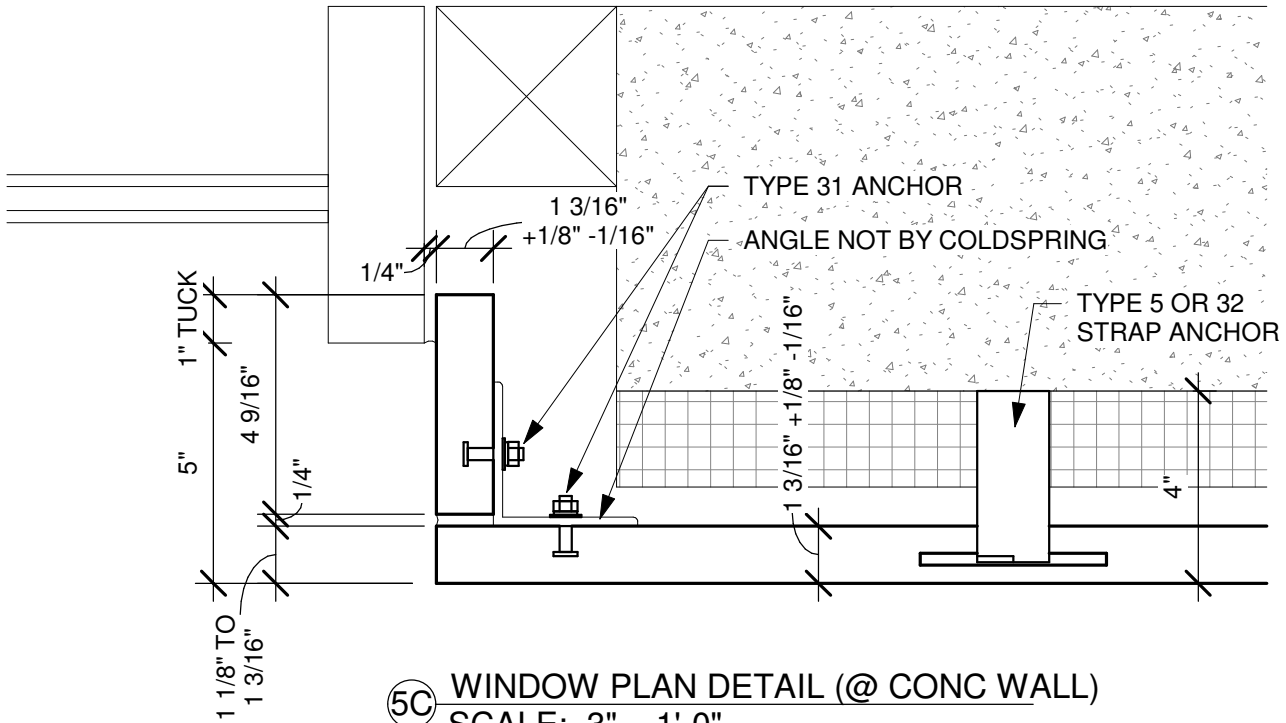
DATE:
3/7/2025



COLDSPRING®

17482 GRANITE WEST ROAD, COLD SPRING, MN 56320
PHONE 320.685.3621 | WWW.COLDSPRINGUSA.COM

ANCHORING DETAILS ARE FOR REFERENCE ONLY. FINAL SPECIFICATIONS AND DETAILS SHOULD BE APPROVED BY A LICENSED ENGINEER.



DR-040 (10Feb25)

DESCRIPTION:

EXAMPLE EXTERIOR WALL - (30mm) WINDOW PLAN DETAIL

SHEET #:
1.5

SCALE:
As indicated

DRAWN BY:
DM

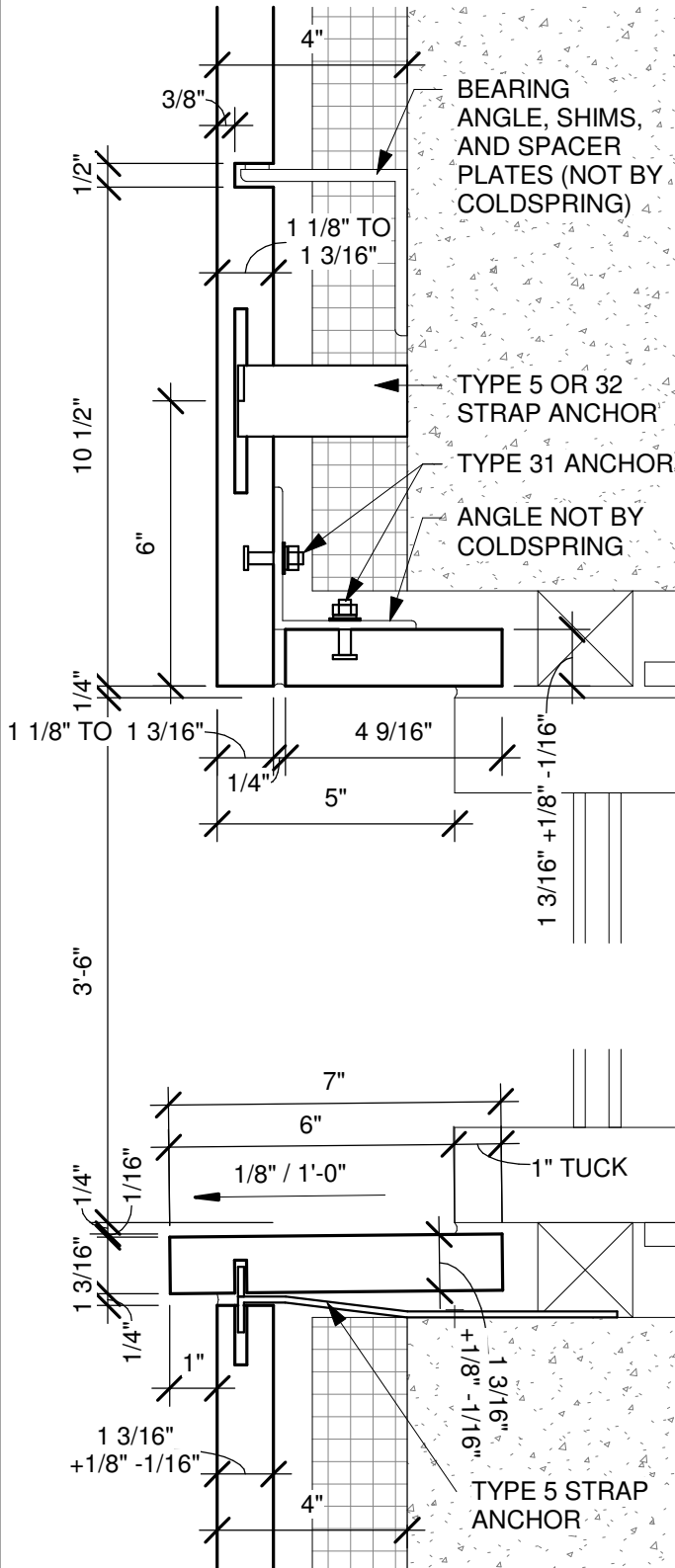
DATE:
3/7/2025



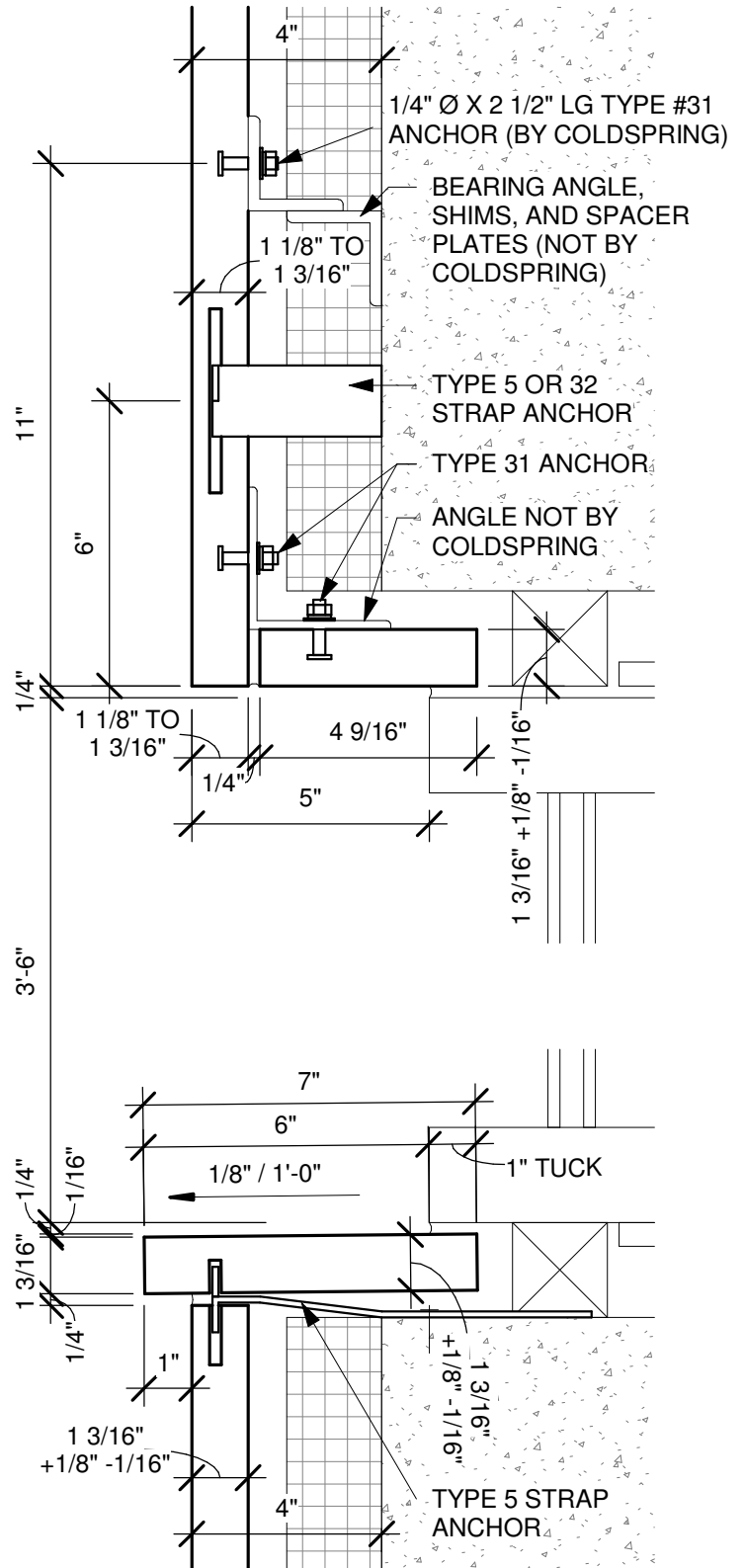
COLDSRING®

17482 GRANITE WEST ROAD, COLD SPRING, MN 56320
PHONE 320.685.3621 | WWW.COLDSRINGUSA.COM

ANCHORING DETAILS ARE FOR REFERENCE ONLY. FINAL SPECIFICATIONS AND DETAILS SHOULD BE APPROVED BY A LICENSED ENGINEER.



6C WINDOW SECTION - BEARING CHECK
SCALE: 3" = 1'-0"



6 WINDOW SECTION - TYPE #31 BEARING
SCALE: 3" = 1'-0"

DR-040 (10Feb25)

DESCRIPTION:

EXAMPLE EXTERIOR WALL - (30mm) WINDOW SECTION

SHEET #:
1.6

SCALE:
As indicated

DRAWN BY:
DM

DATE:
3/7/2025



COLDSRING®

17482 GRANITE WEST ROAD, COLD SPRING, MN 56320
PHONE 320.685.3621 | WWW.COLDSRINGUSA.COM