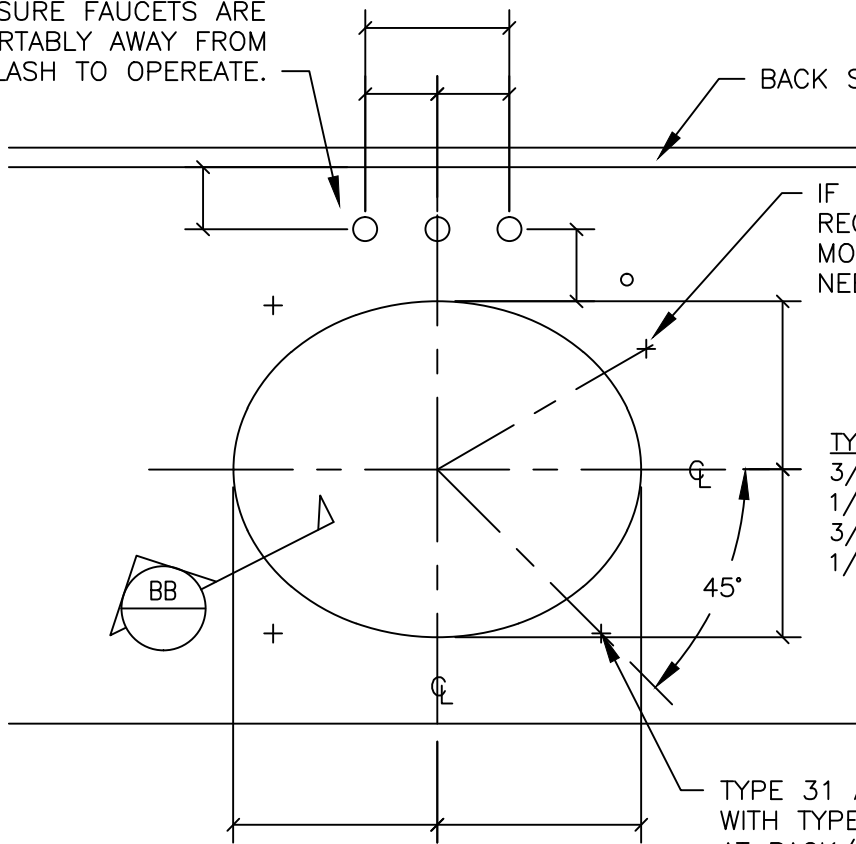


MAKE SURE FAUCETS ARE COMFORTABLY AWAY FROM BACK SPLASH TO OPERATE.



BACK SPLASH

IF SOAP DISPENSER IS REQUIRED, SINK ANCHOR MOUNT LOCATION MAY NEED TO BE ADJUSTED.

TYPE 31 TORQUE REQUIREMENTS:  
 3/16" DIA. = 35 TO 40 IN. LBS.  
 1/4" DIA. = 70 TO 80 IN. LBS.  
 3/8" DIA. = 200 TO 220 IN. LBS.  
 1/2" DIA. = 400 IN. LBS

TYPE 31 ANCHOR WITH TYPE 2 ANCHOR AT BACK/BOTTOM OF VANITY.

## UNDER MOUNT SINK PLAN

### CONSIDERATIONS:

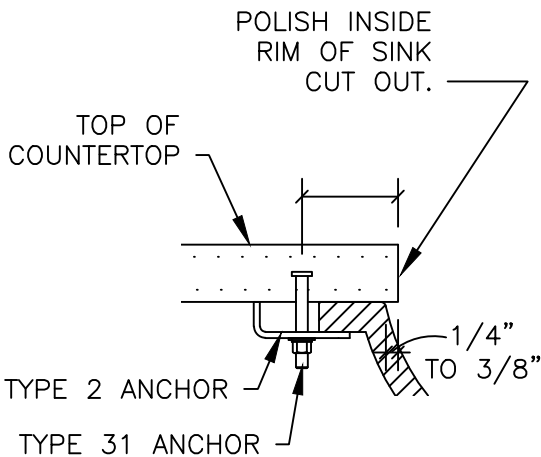
FULL SIZE TEMPLATE FOR SINK BOWL CUT OUT  
 -PURCHASER TO SUPPLY FULL SIZE TEMPLATE  
 -IF UNAVAILABLE, PURCHASER TO SUPPLY ACTUAL SINK OR PROVIDE A MAKE AND MODEL NUMBER OF SINK TO BE USED. (VERIFY IF SINK IS TO BE RETURNED).

### SINK CUT OUT LOCATION

-CENTERLINES WILL BECOME THE WORK POINTS FOR LOCATING FAUCET HOLES, SOAP DISPENSER, LOTION DISPENSER, AND ANCHORS FOR INSTALLING UNDER MOUNT SINKS.

### FAUCET HOLES

-PURCHASER TO PROVIDE SIZE AND LOCATION OF FAUCET HOLES (CONSIDER SPACING BETWEEN HOLES)  
 -REVIEW LOCATION OF FAUCETS WITH SINK BOWL, BACK SPLASH AND POSSIBLE STRUCTURAL SUPPORT BELOW.  
 SOAP DISPENSER AND LOTION DISPENSER  
 -CHECK IF SOAP/LOTION DISPENSER HOLES ARE REQUIRED.  
 -IF SO, WHAT SIZE HOLE IS REQUIRED. WHERE IS HOLE LOCATED FROM CENTERLINES OF BOWL CUT OUT?



## SECTION BB

DESCRIPTION:

VANITY UNDER MOUNT SINK



**COLDSPRING™**

17482 GRANITE WEST ROAD, COLD SPRING, MN 56320-4578  
 PHONE (320) 685-3621, FAX (320) 685-5052  
 WWW.COLDSPRINGUSA.COM

SCALE:

1 1/2" = 1'-0"

DRAWN BY:

LB/KM

DATE:

9-18-13