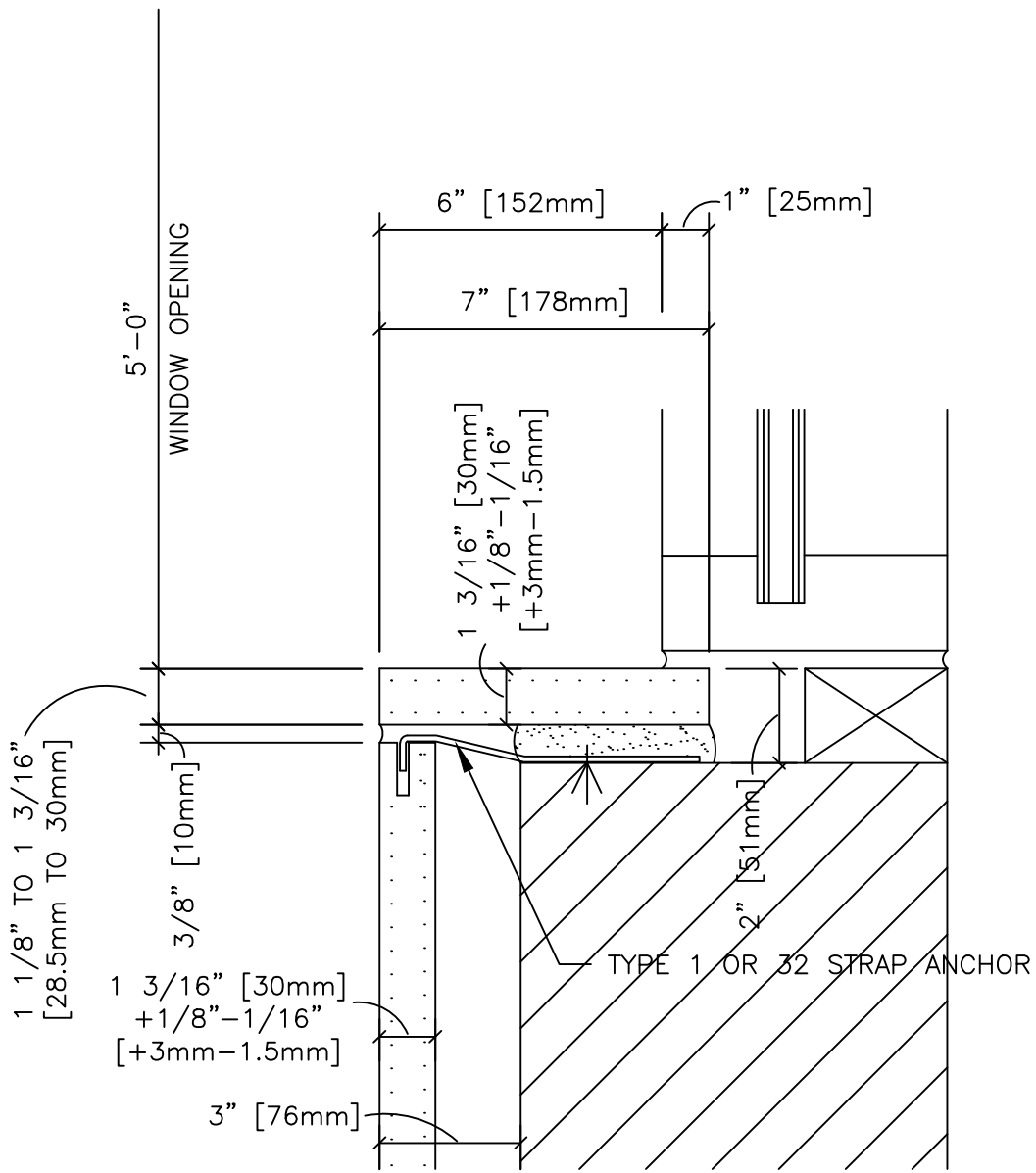


ANCHORING DETAILS ARE FOR REFERENCE ONLY. FINAL SPECIFICATIONS AND DETAILS SHOULD BE APPROVED BY A LICENSED ENGINEER.



SECTION J

DESCRIPTION:
 EXAMPLE INTERIOR WALL - SECTION J
 30mm

SCALE:
 3" = 1'-0"

DRAWN BY:
 LB/KM

DATE:
 8-20-13



COLDSPRING™

17482 GRANITE WEST ROAD, COLD SPRING, MN 56320-4578
 PHONE (320) 685-3621, FAX (320) 685-5052
 WWW.COLDSPRINGUSA.COM