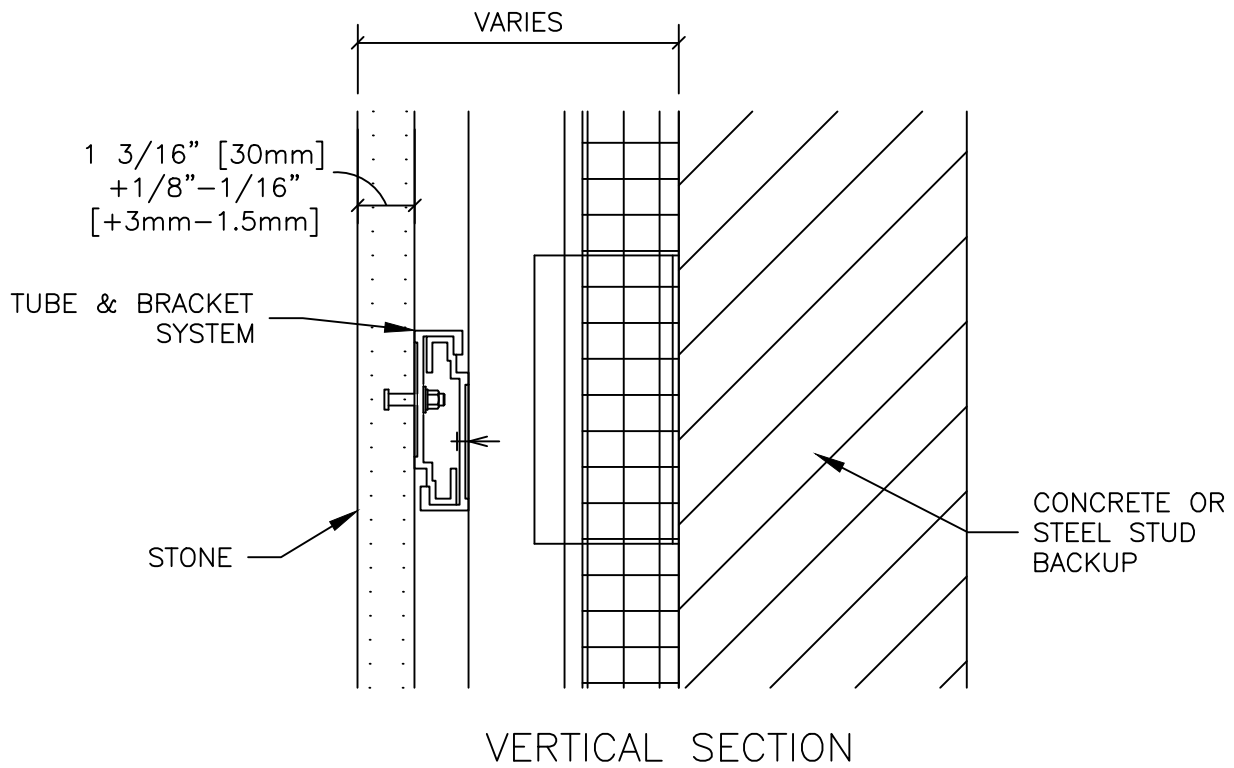
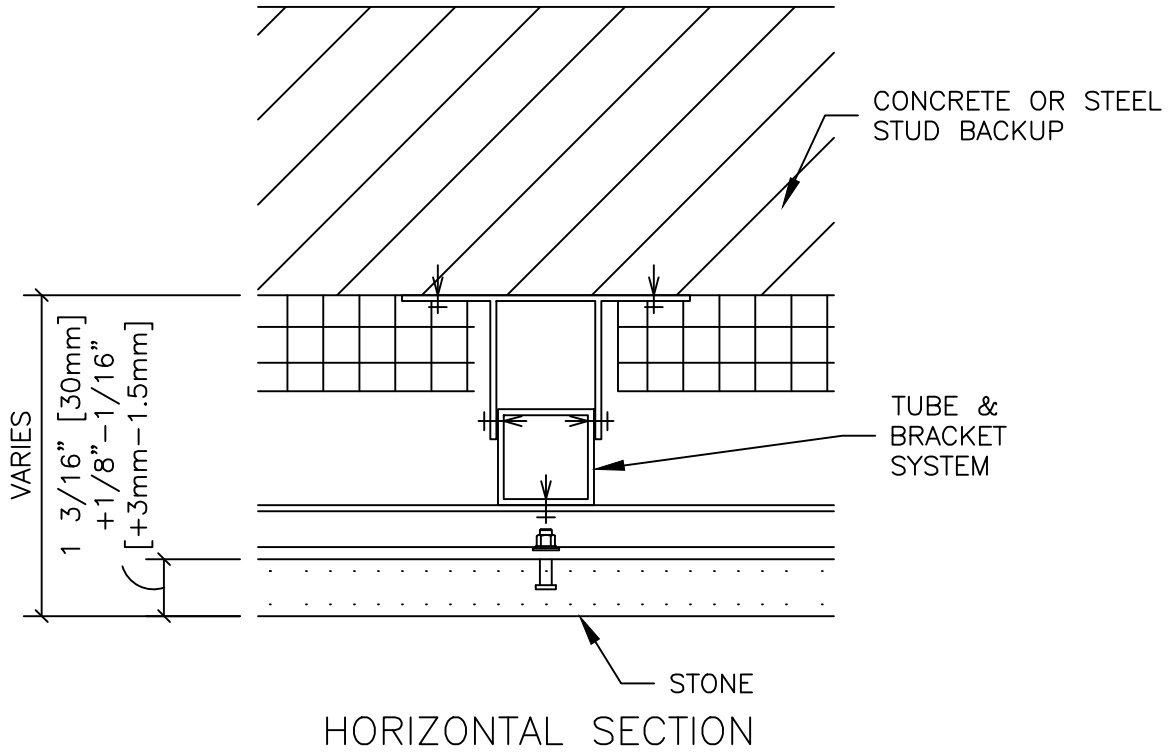


ANCHORING DETAILS ARE FOR REFERENCE ONLY. FINAL SPECIFICATIONS AND DETAILS SHOULD BE APPROVED BY A LICENSED ENGINEER.



DESCRIPTION:
RAINSCREEN ANCHORING SYSTEM – STONE
TUBE & BRACKET

SCALE:
3" = 1'-0"

DRAWN BY:
JV/KM

DATE:
8-20-13



COLDSPRING™

17482 GRANITE WEST ROAD, COLD SPRING, MN 56320-4578
PHONE (320) 685-3621, FAX (320) 685-5052
WWW.COLDSPRINGUSA.COM