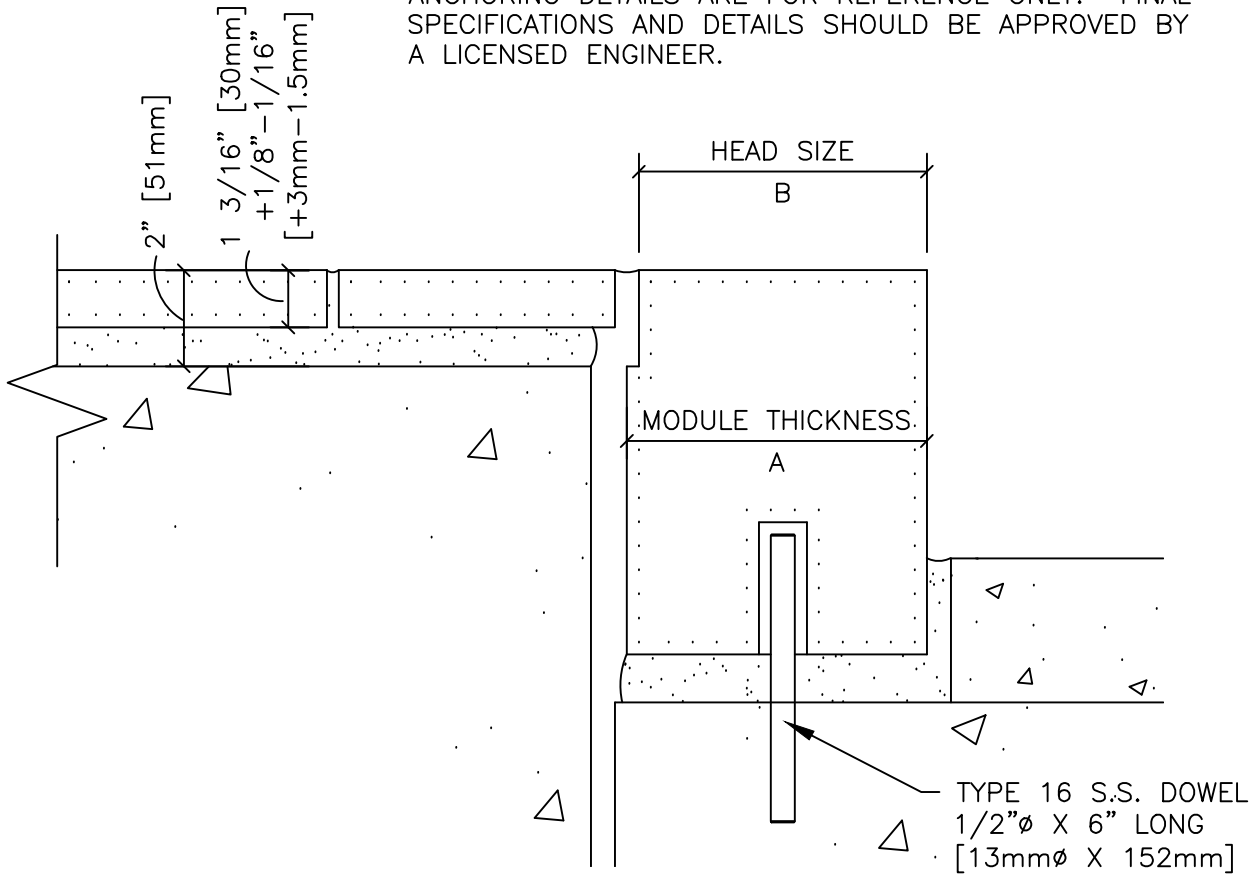
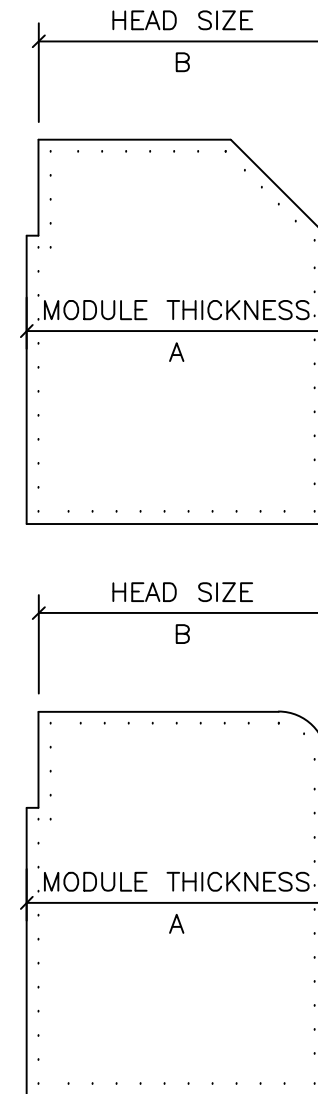


ANCHORING DETAILS ARE FOR REFERENCE ONLY. FINAL SPECIFICATIONS AND DETAILS SHOULD BE APPROVED BY A LICENSED ENGINEER.



CURB AND PAVING DETAIL

MODULE THICKNESS A	HEAD SIZE B
4 1/16" +1/8" -1/16" [103mm +3mm -1.5mm]	4" TO 4 1/16" [101mm TO 103mm]
6 1/8" ±1/8" [155.5 ±3mm]	6" TO 6 1/16" [152mm TO 154mm]
8 1/8" ±1/8" [206mm ±3mm]	8" TO 8 1/16" [203mm TO 205mm]



ALTERNATE CURB PROFILES

COLDSPRING™

17482 GRANITE WEST ROAD, COLD SPRING, MN 56320-4578
 PHONE (320) 685-3621, FAX (320) 685-5052
 WWW.COLDSPRINGUSA.COM

DESCRIPTION: CURB AND PAVING DETAIL

SCALE: 3" = 1'-0"

DRAWN BY: LB/KM

DATE: 8-20-13