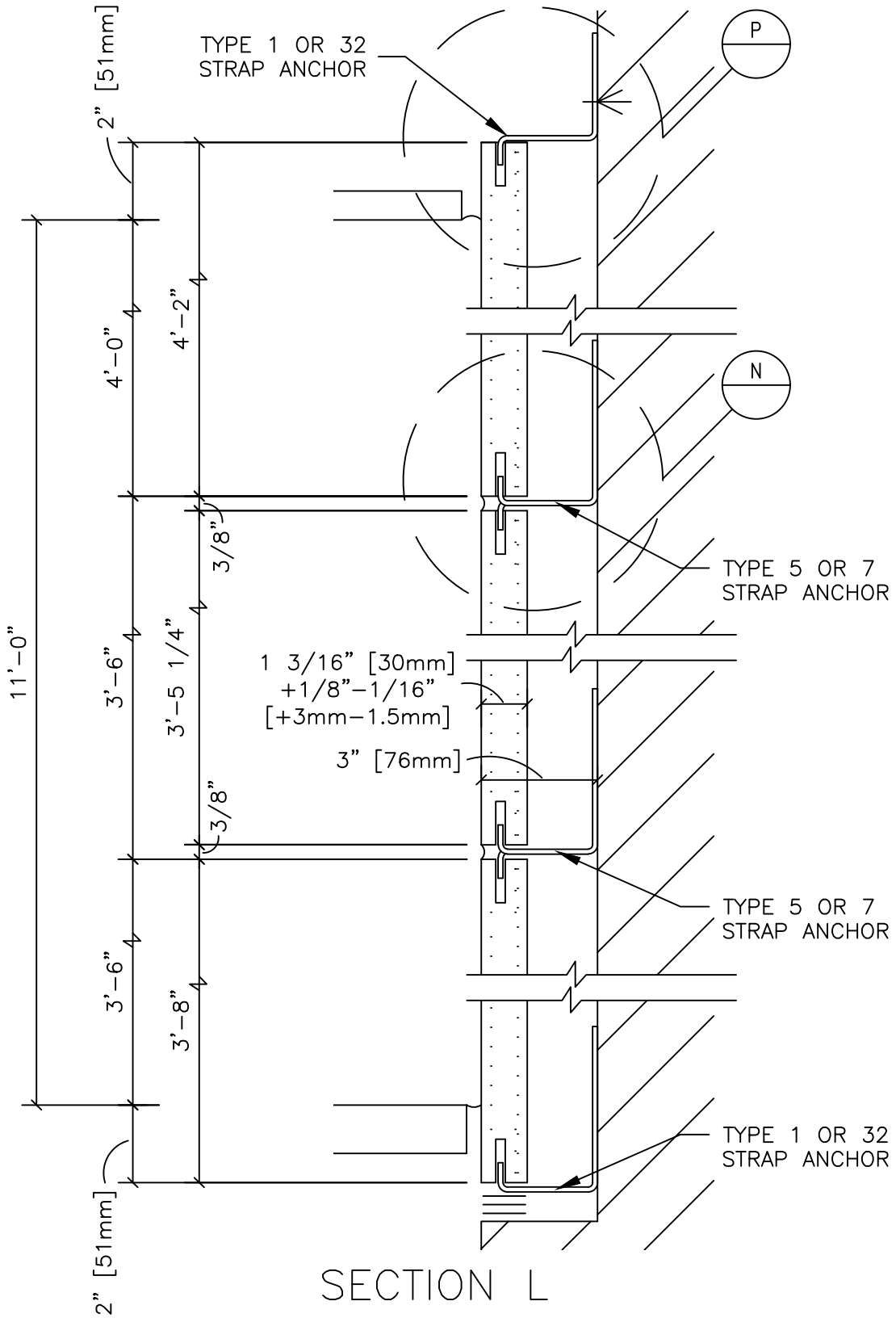


ANCHORING DETAILS ARE FOR REFERENCE ONLY. FINAL SPECIFICATIONS AND DETAILS SHOULD BE APPROVED BY A LICENSED ENGINEER.



DESCRIPTION:  
EXAMPLE EXTERIOR WALL - SECTION L  
30mm

SCALE:  
3" = 1'-0"

DRAWN BY:  
KM

DATE:  
6-6-17



**COLDSPRING™**

17482 GRANITE WEST ROAD, COLD SPRING, MN 56320-4578  
PHONE (320) 685-3621, FAX (320) 685-5052  
WWW.COLDSPRINGUSA.COM